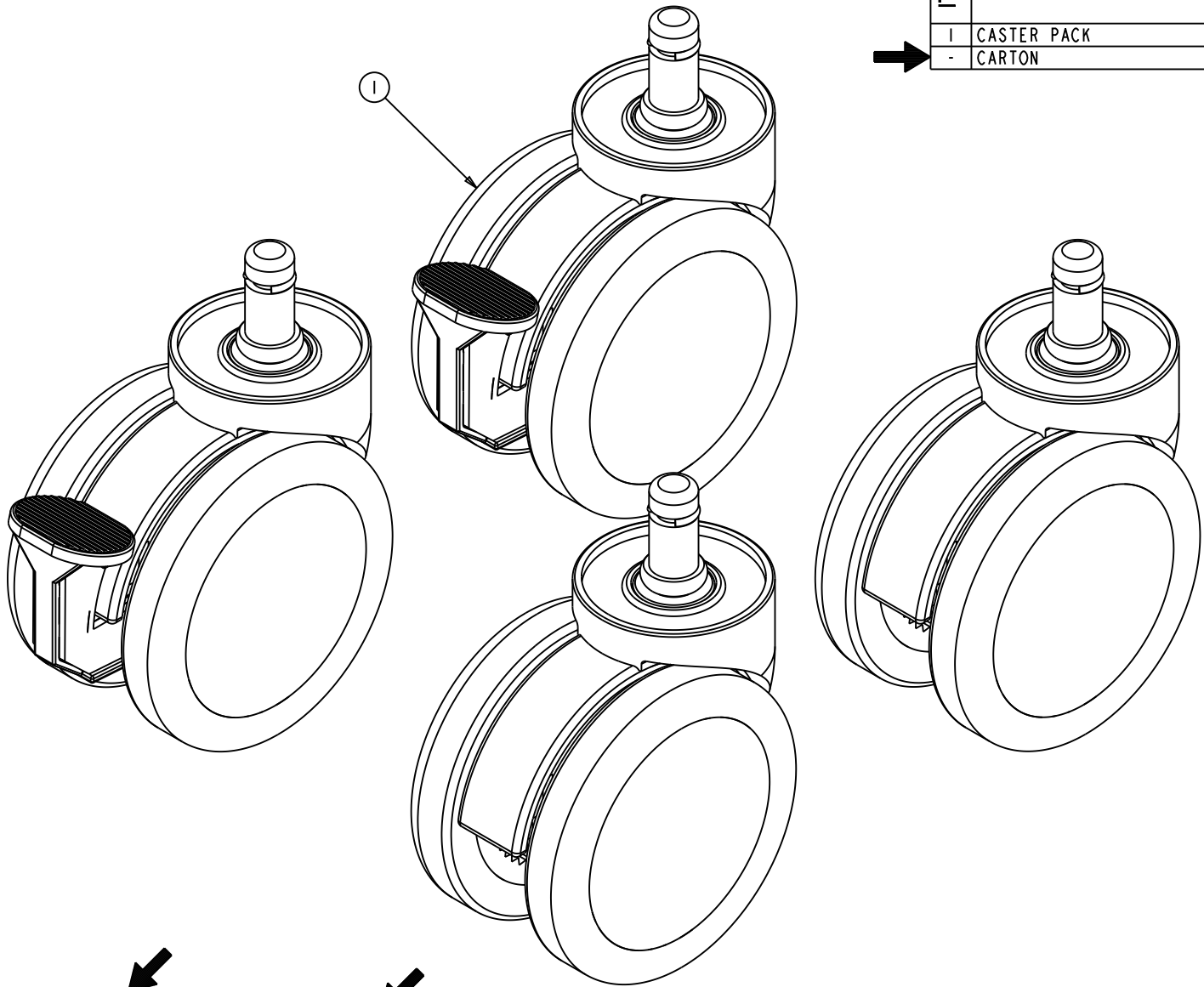


<b>HNI</b>	MATERIAL	REPLACEABLE? Y=YES N=NO R=RESTRICTED	TITLE	NO
	FINISH	INITIAL REL.	<b>CASTER ASSY</b>	<b>HMTA6510703</b>
THIS DRAWING IS THE CONFIDENTIAL AND PROPRIETARY INFORMATION (AND IS THE PROPERTY) OF HNI CORPORATION, AND/OR ITS OPERATING COMPANIES. IT IS SUBMITTED SUBJECT TO RETURN UPON REQUEST AND UPON THE EXPRESSED CONDITION THAT THE INFORMATION CONTAINED HEREIN WILL BE HELD IN CONFIDENCE AND WILL BE USED SOLELY FOR THE BENEFIT OF THE OWNERS.			UNLESS NOTED DIMENSIONS ARE IN INCHES. X.XX ±0.01 X.XXX ±0.001 X.XXXX ±0.0001 [X.XX] ARE METRIC, AND (X.XX) OR (S) ARE CRITICAL ANGLE ±0.5	DO NOT SCALE DRAWING REV <b>FORMAL A.</b>
				THIRD ANGLE PROJECTION <b>SHEET 1 OF 1</b>

<b>ITEM</b>	<b>PART DESCRIPTION</b>	HMTA6510703	
		CASTER ASSY	
		<b>PART NO</b>	<b>QTY</b>
		1 CASTER PACK	6510070300 15
- CARTON	SEE NOTE	1	



**NOTES:**  
 1. CASTER VENDOR SUPPLIED CARTON  
 2. PLACE SERIAL LABEL ONTO CASTER VENDOR SUPPLIED CARTON

FORMAL A.	01-21269-09	13-NOV-2015	DMC	DEM	ADDED NOTES FOR CASTER VENDOR SUPPLIED CARTON
REVISION	RELEASE	DATE	ORIGINATOR	CHECKER	REVISION NOTES
					<b>HMTA6510703</b>