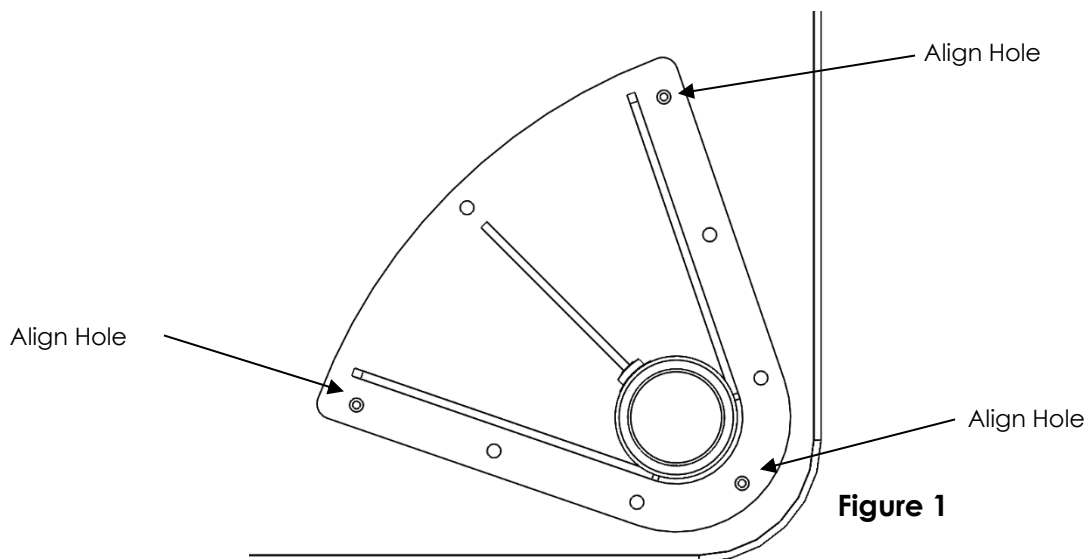


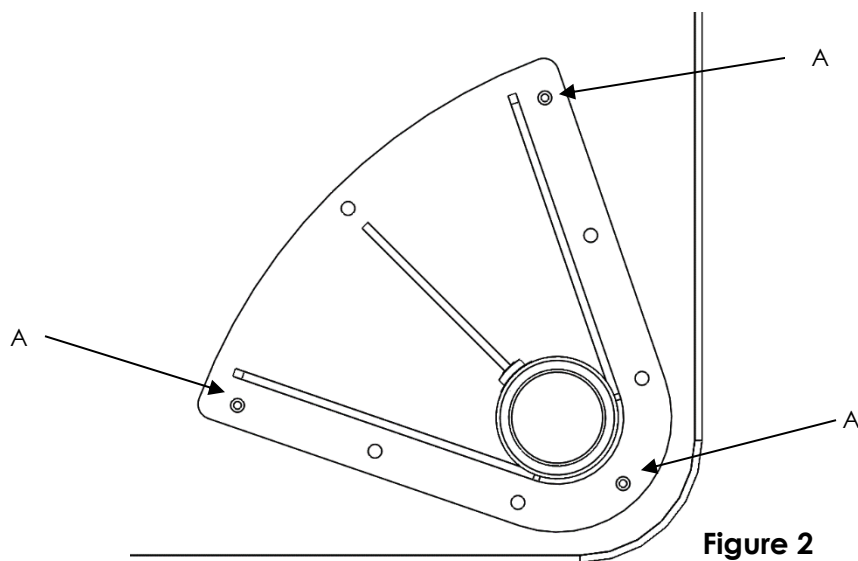
installation instructions

MODEL: Discover Tables Fixed Height (Leg Installation)

1. Recommended tooling requirements for installation:
 - a. Phillips Head Screw-Driver or Impact Drill
 - b. 3/16" Drill Bit
 - c. Tighten all fasteners with torque of 20 in.lbs.
 - d. Cardboard or soft material to protect the work surface of top during leg installation
2. Place the work surface upside down on a cardboard or carpeted surface to prevent finish from scratching.
3. Place the leg on the top so that the predrilled holes in top align with the leg as shown in Figure 1.



4. With the leg now aligned, install three (3) Philips head, #12 x1" screws provided in the hardware pack in the three (3) holes identified "A" as indicated below in Figure 2.



5. Install five (5) additional Philips head, #12 x1" screws provided in the hardware pack in the remaining holes.