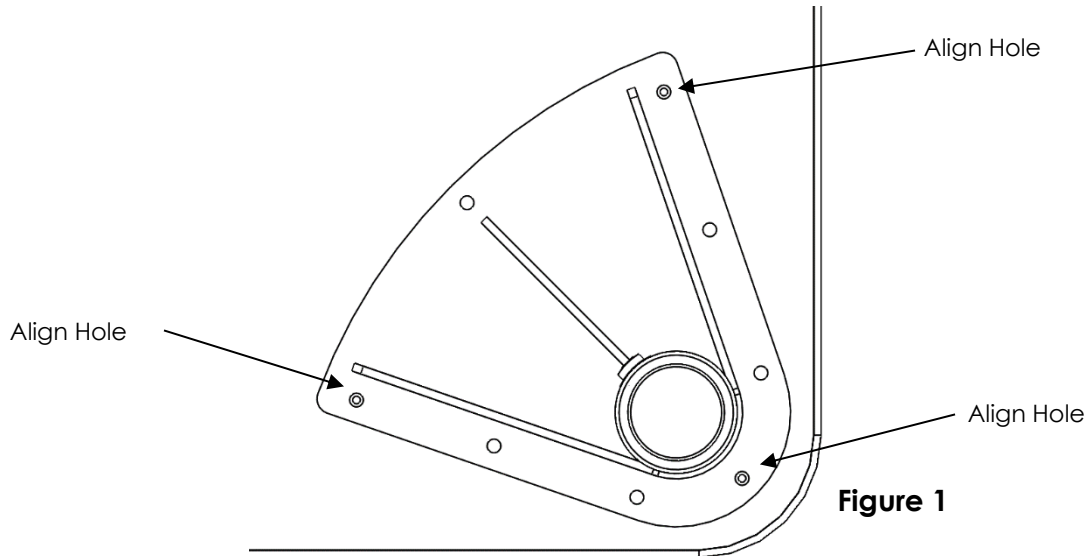


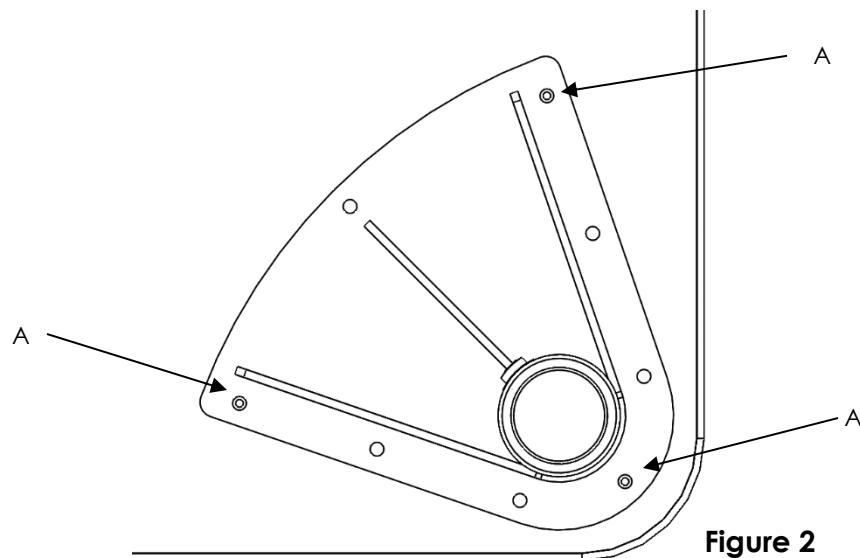
installation instructions

MODEL: Discover Tables (Leg Installation)

1. Recommended tooling requirements for installation:
 - a. Phillips Head Screw-Driver or Impact Drill
 - b. 3/16" Drill Bit
 - c. Tighten all fasteners with torque of 20 in.lbs.
 - d. Cardboard or soft material to protect the work surface of top during leg installation
2. Place the work surface upside down on a cardboard or carpeted surface to prevent finish from scratching.
3. Place the leg on the top so that the predrilled holes in top align with the leg as shown in Figure 1.



4. With the leg now aligned, install three (3) Philips head, #12 x1" screws provided in the hardware pack in the three (3) holes identified "A" as indicated below in Figure 2.



installation instructions

MODEL: Discover Tables (Leg Installation)

5. Install five (5) additional Philips head, #12 x1" screws provided in the hardware pack in the remaining holes.
6. Adjust leg to desired height by loosening the 3/16" Allen head set screw, sliding the leg insert in or out of the receiver until the desired height setting is reached. Retighten the 3/16" Allen head set screw ensuring that the corresponding hole in the Leg Insert aligns with the Allen head set screw. See Figure 3 below.

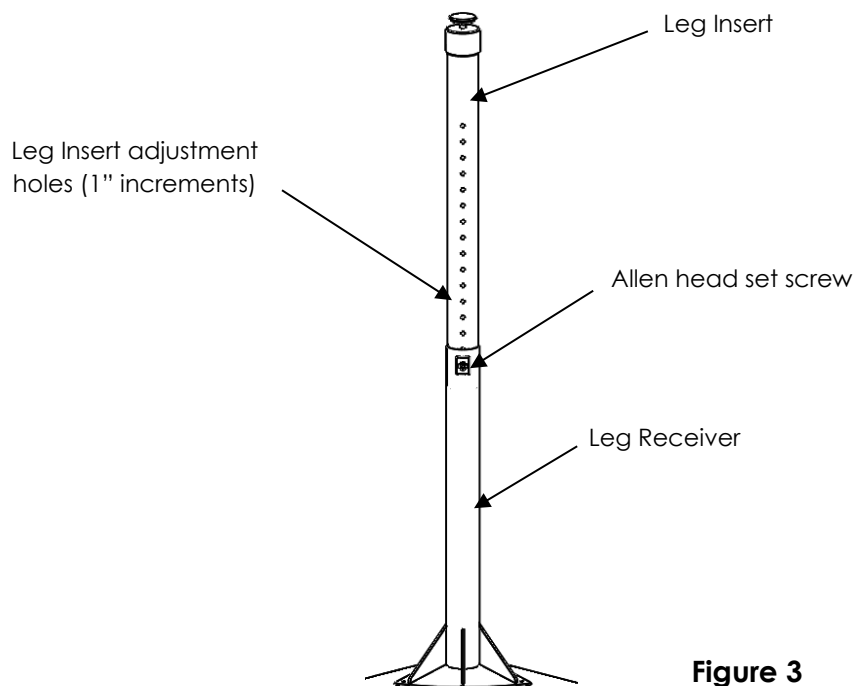


Figure 3

7. Repeat on remaining legs.