

**WORK INSTALLATION**

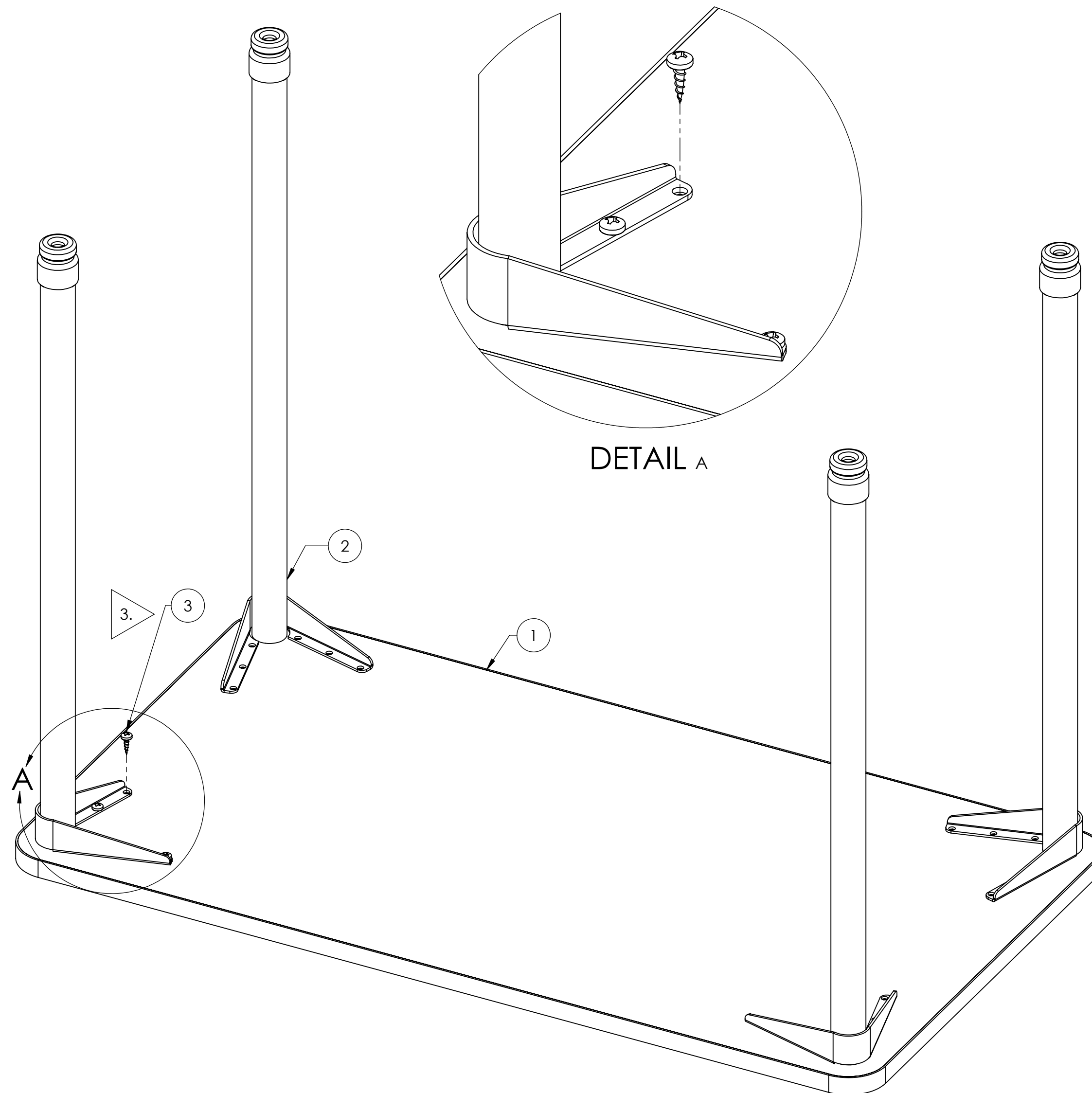
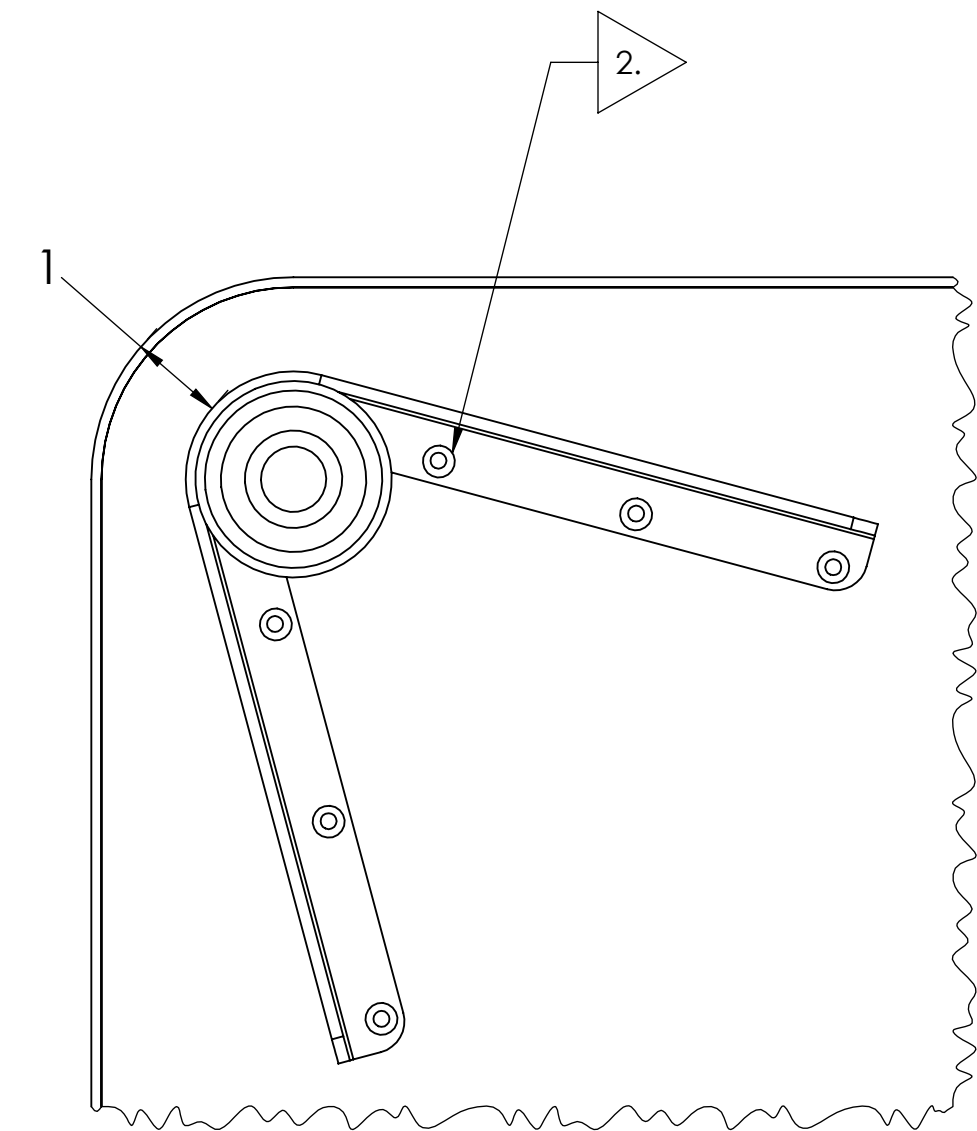
1. RECOMMENDED TOOLING REQUIREMENTS FOR INSTALLATION:

- PHILLIPS HEAD SCREW DRIVER OR IMPACT DRILL
- 3/16" DRILL BIT
- TIGHTEN ALL FASTENERS WITH TORQUE **46in.lbs.**
- CARDBOARD OR SOFT MATERIAL TO PROTECT THE WORK SURFACE OF THE TOP DURING INSTALL (LAMINATE ON TOP WILL NEED TO FACE DOWN. SEE BELOW)

2. ALIGN DSLP FIXED HEIGHT LEG HOLES WITH TOP'S RESPECTIVE PRE-DRILLED HOLES.

3. APPLY SCREWS TO APPROPRIATE HOLES. REQUIRES QUANTITY OF SIX SCREWS PER DSLP FIXED HEIGHT LEG.

REVISIONS			
REV.	DESCRIPTION	DATE	APPROVED



ITEM NO.	PART NUMBER	DESCRIPTION	QTY.
1	NA	SHAPE TOP EXAMPLE	1
2	DSL-4F27	FIXED HEIGHT ASSY_27in	NA
3	800200	SCREW #12 x 3/4 PHILIPS PAN HEAD	6 PER LEG

**artcobell**  
 1302 industrial boulevard • temple, tx 76504 • www.artcobell.com

TITLE:  
 DSLP FIXED HEIGHT INSTALLATION

PART No.:  
 DSLP-4FXX-001 WI

DO NOT SCALE DRAWING  
 SHEET 1 OF 1

DWG SIZE  
**A**