

# ARISE SINGLE PEDESTAL PODIUM

**WARNING:** The columns of this table contain high force pneumatic springs that are sized to lift work surface and accessories. The proper sizing, handling and assembly of this unit is a necessity to prevent damage to columns or serious injury. Only adjust table if weight is within the minimum and maximum lift rating for this unit.

**WARNING:** Do not operate release lever until table is completely assembled and in an upright position.

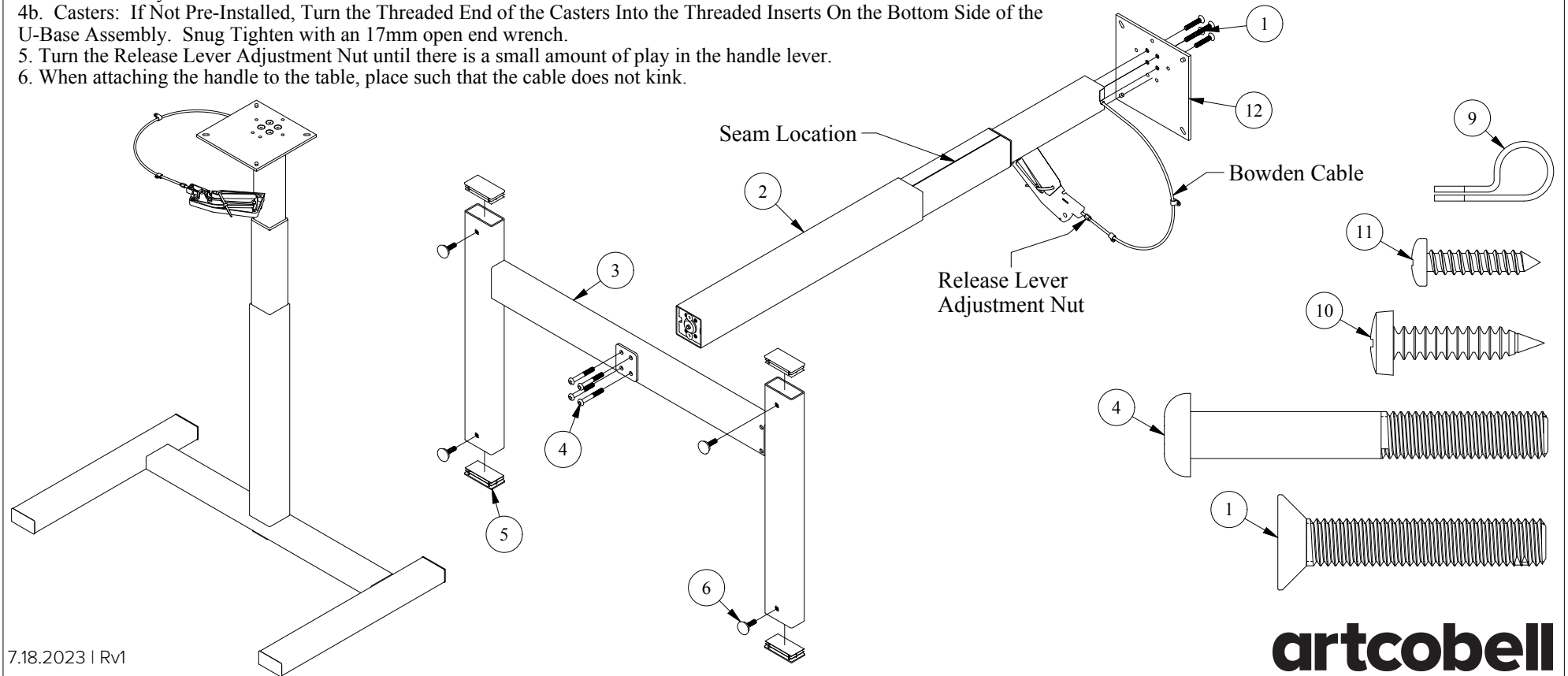
**WARNING:** Because of size and weight of this frame and table, make sure you have enough help (minimum two people) to safely assemble and position unit as needed.

## ASSEMBLY INSTRUCTIONS

Note: Assembly should be done on a clean flat non-abrasive surface.

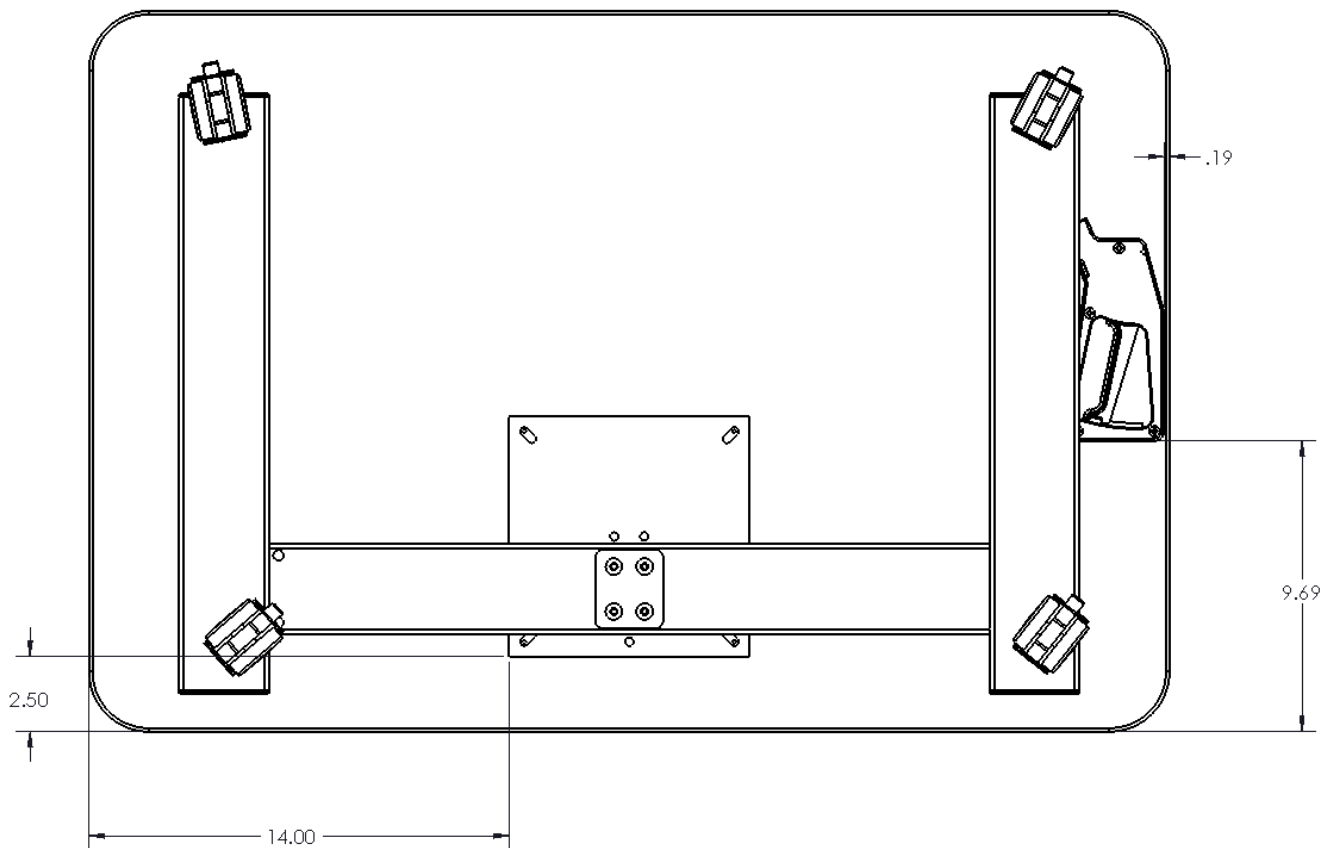
1. Align the Four Holes in the Mounting Plate (#12) with the Four Tapped Holes in the Column (#2) as Shown. Insert four M8 x 45mm Screws (#1) Thru the Mounting Plate and Thread Into the Column. With a 5mm Hex Drive, Tighten the Screws to 15 Foot Pounds of Force.
2. Align the Holes in the U-Base Assembly (#3) with the Tapped Holes in the Bottom of Column as Shown. Insert the M8 x 60mm Screws (#4) Thru the U-Base Assembly and Thread Into the Columns. With a 5mm Hex Drive, Tighten the Screws To 15 Foot Pounds of Force.
3. If Not Pre-Installed, Press Finishing Plugs (#5) Into the Ends of U-Base Tubes.
- 4a. Glide: If Not Pre-Installed, Turn the Threaded End of the Glides (#6) Into the Threaded Holes On the Bottom Side of the U-Base Assembly.
- 4b. Casters: If Not Pre-Installed, Turn the Threaded End of the Casters Into the Threaded Inserts On the Bottom Side of the U-Base Assembly. Snug Tighten with an 17mm open end wrench.
5. Turn the Release Lever Adjustment Nut until there is a small amount of play in the handle lever.
6. When attaching the handle to the table, place such that the cable does not kink.

Parts List		
Seq	Qty	Description
1	4	Screw,M8x45mm FHCS Hex Drive
2	1	LR Column Assy,w/Lockable Spring
3	1	U-Base Assembly
4	4	Screw, M8 x 60mm BHCS Hex Drive
5	4	Tube End Cap
6	4	Leveling Glide or Caster
7	1	Label Warning, Lever
8	1	Cable Tie, 8" lg x 2" Dia
9	2	Cable Mtg Clip, 0.32 Dia.x0.39 wide
10	8	Screw, #12 x 1 PPH
11	6	Screw, #8 x 3/4 PPH
12	1	Edge Mtg Plate 8"X8"



➤Applicable Base Models:  
ATPA

1. Place the work surface upside down on a cardboard or carpeted surface to prevent finish from scratching
2. Align base and handle on worksurface as shown below. This may take two installers.



3. Insert provided screws to fasten base and handle to worksurface.

**NOTE:** Take care not to activate handle while installing as to not make podium unstable.

4. Install provided cable management clips where desired and fasten down.
5. Carefully place right side up and enjoy.