

Discover Rocker

Discover Rocker Chairs (D1RA, D1RB, D1RC) are available in 13", 15 1/2" and 17 3/4" seat heights with polished chrome legs and rockers. Rocker chairs do not stack and other chairs should not be stacked on a rocking chair.

Shell

One-piece, injection-molded polypropylene shell with anti-static additive. Color is dispersed across the polypropylene for an even appearance. Enhanced waterfall front edge and biometric design allows comfortable seating. Contoured shell geometry allows rear facing seating position. Fifteen integrated wraparound ribs are provided for shell strength along with nesting scallops on both sides of shell that allow shells to nest and eliminate movement when stacked. Both sides of the shell are textured and constructed with a handle in the upper portion of the shell with smooth edges for ease when carrying. Shell is permanently attached to the frame with six non-load bearing steel rivets.

Frame

Discover Rocker is constructed of 1 1/8" 16-gauge tubular steel front and rear legs welded to two 14-gauge C-channel support brackets for superior strength and durability. Rocker runner is constructed of 1 1/8" 12-gauge tubular steel that is die-formed for optimum rocking curve. Frames are available in nickel chrome finish completed after welding for improved aesthetics. Rocker toe provides support on the ends of the frame tubes and includes a nylon button glide.

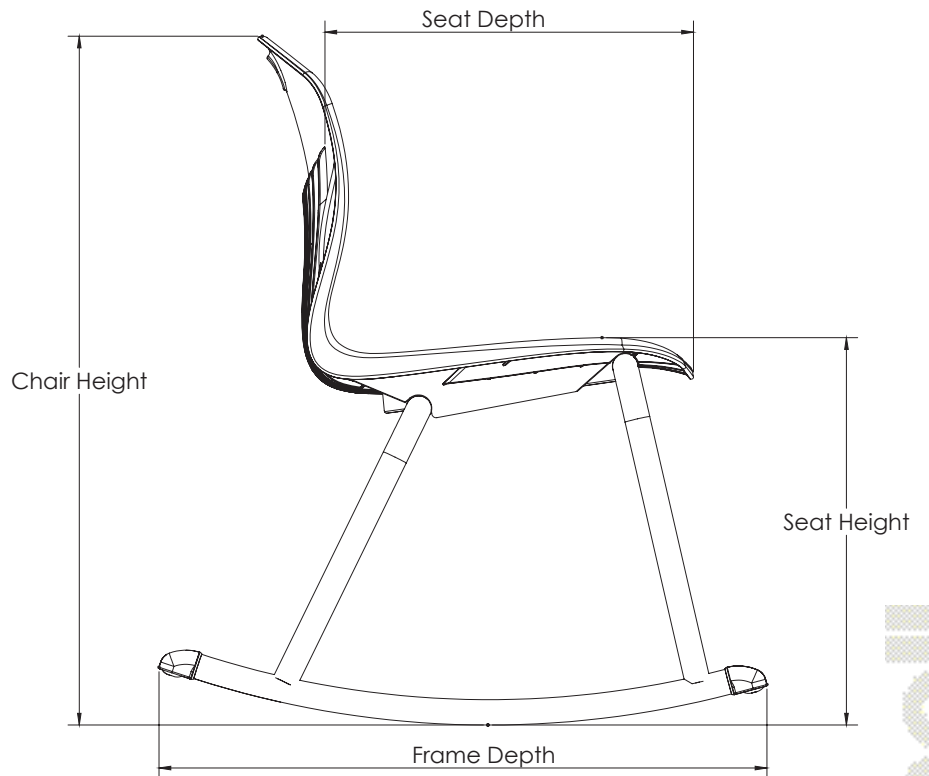
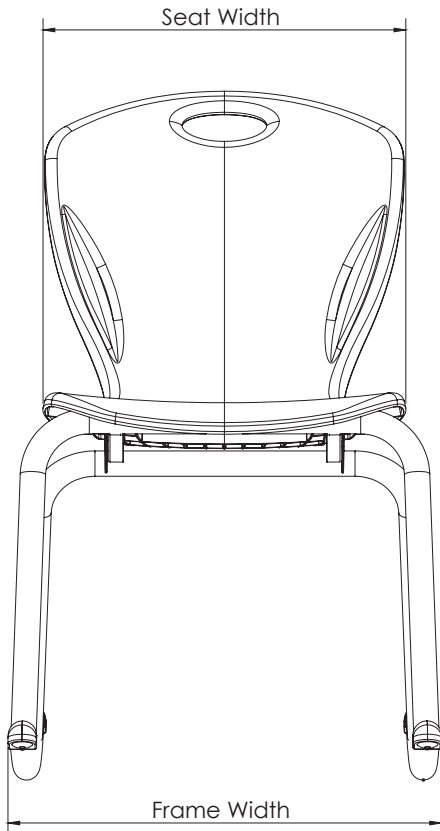
Compliance

- > Rated for use up to 250lbs.
- > Indoor Advantage™ Gold. Indoor air quality certified to SCS-EC10.3-2014
- > Tested to applicable ANSI/BIFMA Furniture Standards





Discover Seating Rocker



MODEL	SEAT HEIGHT"	SEAT WIDTH"	SEAT DEPTH"	CHAIR HEIGHT"	FRAME WIDTH"	FRAME DEPTH"
D1RC	13.0"	12.0"	11.25"	23.0"	16.0"	23.0"
D1RB	15.5"	16.0"	16.0"	28.75"	19.25"	27.0"
D1RA	17.75"	16.0"	16.0"	30.75"	19.5"	27.0"

artcobell