

# Discover Four Leg Stool

08 Series Poly Stools are available with 13½" diameter seat and adjustable legs.

## Seat

08 Series stools are available with 13¼" diameter anti-static molded polypropylene (0801, 0802) seat that attaches to a support plate with four (4) rivets.

## Frame

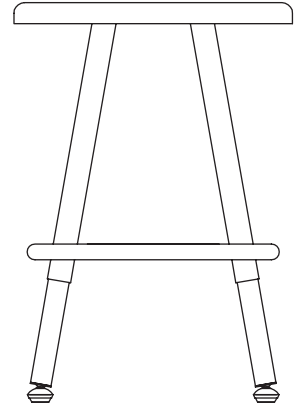
Upper frame is constructed of 1⅛" 18-gauge tubular steel (four pieces) welded to 13-gauge top support. Upper frame reinforced with a ¾" 18-gauge diameter footrest welded to the outside of the frame. Upper frame is available in nickel chrome or powder coat finish; completed after welding for improved aesthetics. Lower frame on adjustable models is made of 18-gauge tubular steel in nickel chrome and receive Phillips locking adjustment bolts in 1" increments. Leveling capability of 1/8" to adjust for uneven floors.

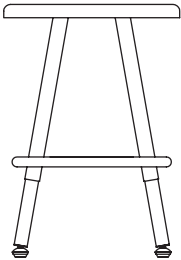
## Glides

Standard with nylon swivel glides. Glides are secured to the leg tube with an internal star clip and swivel 32-degrees. Glide options are steel, non-skid, felt (with a replaceable cap) and boot glides to accommodate a variety of flooring types. Non-skid glide is a soft rubbery base material made of elastomer/ rubber/TPR. Boot glides are made of a non-skid rubber base. Steel glide is the best selection for carpeted floors. Nylon is a good general purpose glide. Recommend felt glides be inspected annually to ensure debris does not build up.

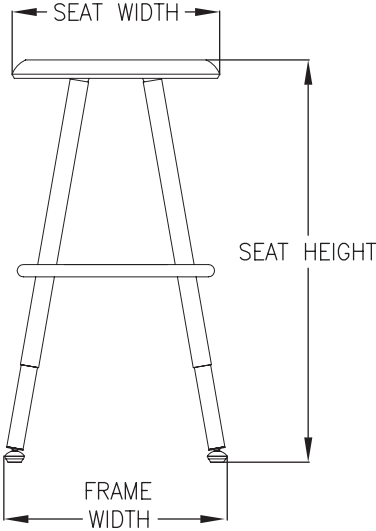
## Compliance

- > Complies with Consumer Products Safety Improvement Act (CPSIA) of 2008
- > Indoor Advantage™ Gold. Indoor air quality certified to SCS-EC10.3-2014
- > Tested to applicable ANSI/BIFMA Furniture Standards





# Discover Seating Four Leg Stool



MODEL	SEAT HEIGHT"	SEAT WIDTH"	SEAT DEPTH"	FRAME WIDTH"
0801	19.0"-27.5"	13.25"	13.25"	13.5"-16.5"
0802	23.5"-32.0"	13.25"	13.25"	12.0"-15.0"

artcobell