

MOV Stool

General

MOV stools shall be available in the following seat heights: 14", 16", 18" and 20".

Body

Two-piece body assembly is comprised of an inner and outer tapered shell component. Inner shell is reinforced polypropylene standard in dark gray. Outer shell is reinforced polypropylene and available in multiple color options.

Base

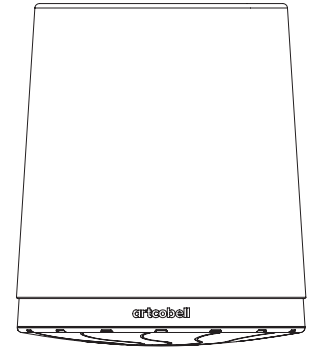
Convex base is reinforced polypropylene for strength and durability with a non-skid over-molded thermoplastic elastomer (TPE) surface.

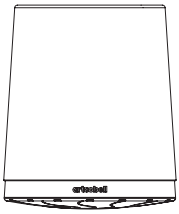
Seat

Reinforced polypropylene for strength and durability with a non-skid over-molded thermoplastic elastomer (TPE) surface.

Compliance

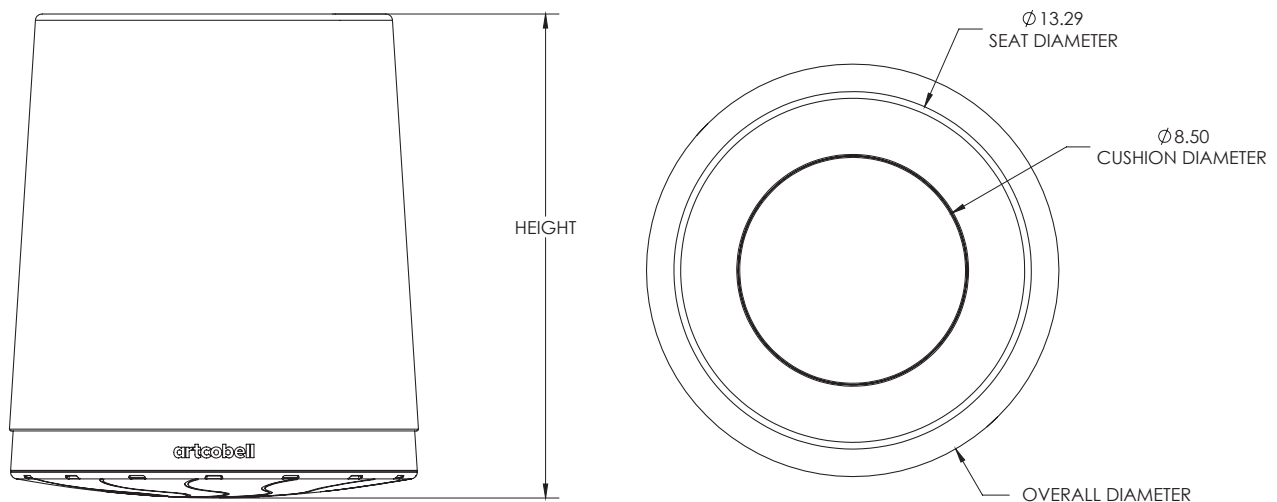
- > Complies with Consumer Products Safety Improvement Act (CPSIA) of 2008
- > Certified Indoor Advantage™ Gold. Indoor air quality certified to SCS-EC10.3-2014 V3.0. Registration #SCS-IAQ-03677





Lounge Seating

MOV Stool



BASE MODEL	HEIGHT "	WEIGHT LBS.	OVERALL DIAMETER "	SEAT DIAMETER "	CUSHION DIAMETER "
ASMOV14	14"	10.9	15.33"	13.29"	8.5"
ASMOV16	16"	11.6	15.33"	13.29"	8.5"
ASMOV18	18"	13.1	15.21"	13.29"	8.5"
ASMOV20	20"	13.8	15.21"	13.29"	8.5"