

Study Carrel

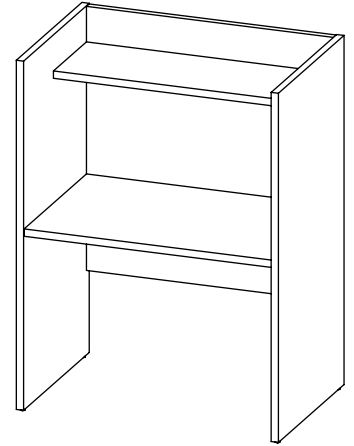
23.8" deep and 36.0" wide study carrels are available in three work surface heights 25", 27" and 29". Units are 48" high, single-sided, open-faced with thermofused-melamine cladding. Top shelf is fixed with depth at 13" at 43" height from ground.

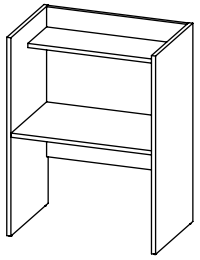
Ends, Partitions and Shelves

All surface material is 1" thermofused laminate. All exposed edges of the uprights are banded with 2mm matching PVC. Unadjustable shelves.center. Shelf pins are plastic, polycarbonate, twin-pin clips to hold the shelf in place and prevent shelf from sliding or slipping. All components are cam lock fasteners. Tack glides, quantity 4, are 5/8" diameter x .75" long, nailed in.

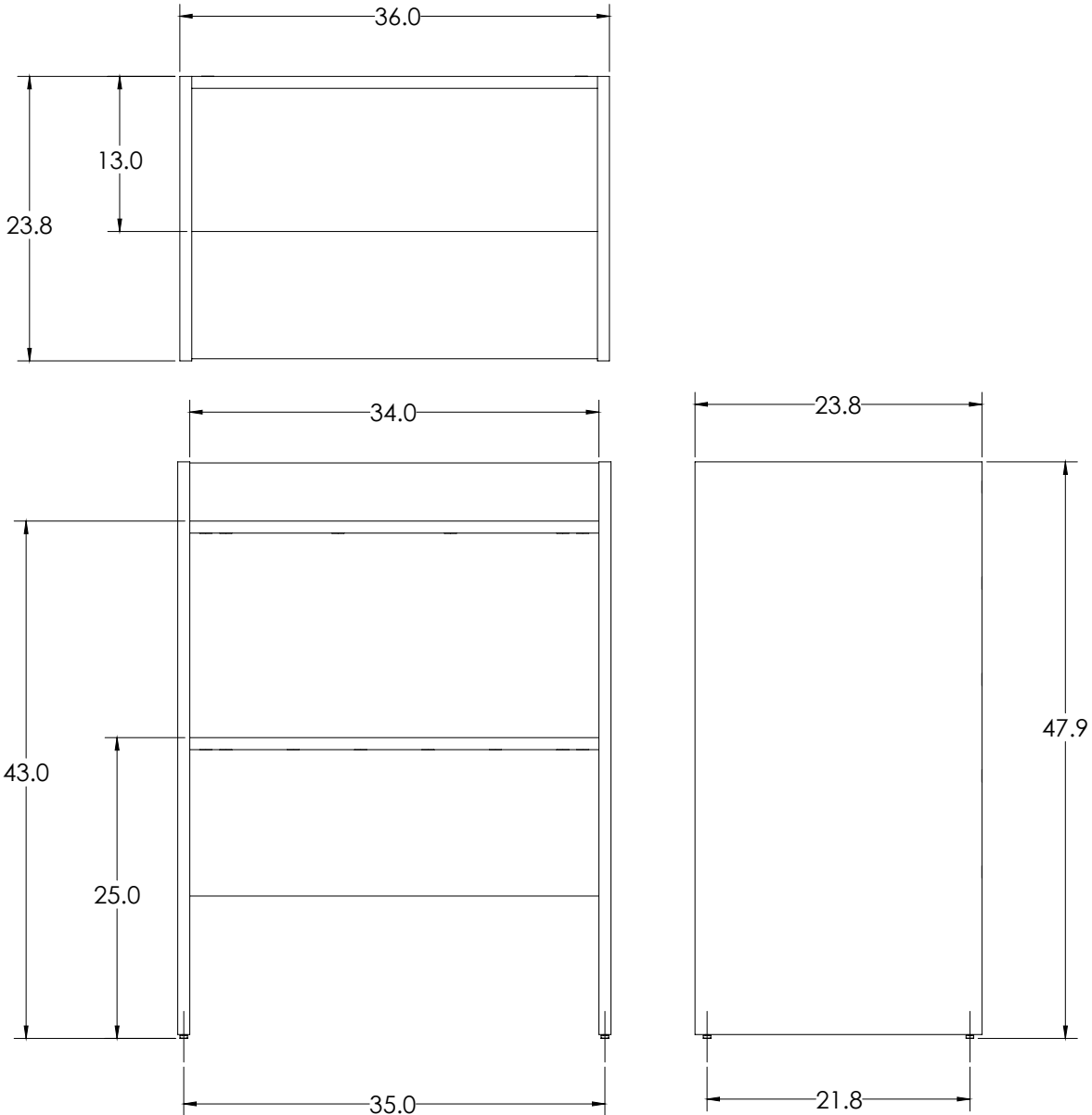
Compliance

- > Tested to applicable ANSI/BIFMA Furniture Standards
- > MAS Certified Green, certificate #MAS1800444





Storage Study Carrel



MODEL	DESCRIPTION	HEIGHT "	WIDTH "	DEPTH "
ASC-3648-25	25"h worksurface	48.0"	36.0"	24.0"
ASC-3648-27	27"h worksurface	48.0"	36.0"	24.0"
ASC-3648-29	29"h worksurface	48.0"	36.0"	24.0"

artcobell