

7SD Four Leg Trapezoid + Rectangle

7SD series four leg desks with rectangular tops are available in 18" x 24", 20" x 26" or 20" x 36" sizes. Trapezoid top is 20" x 32". The 18" x 24" and 20" x 26" desks are standard with 22"-30" height adjustable legs or 30" fixed height. The rectangle 20" x 36" is wheelchair accessible and has an adjustment range of 26"-34".

MDF Core Work Surface (3)

Work surface is constructed of 3/4" thick medium-density fiberboard (MDF) core surfaced with high-pressure pressure laminate (HPL) on the top surface and a resin impregnated phenolic paper backer sheet on the underside to balance construction and minimize warping. MDF has a clear edge sealed with a clear polyurethane sealant.

Particleboard Core Work Surface (E)

Work surface is constructed of 3/4" thick 45# particleboard core surfaced with high-pressure pressure laminate (HPL) on the top surface and a resin impregnated phenolic paper backer sheet on the underside to balance construction and minimize warping. Coordinated flat vinyl edge is secured to the perimeter of the top.

Solid Plastic Work Surface (S)

Top is constructed of 5/8" thick high-impact solid work surface comprised of wood flour and melamine resin which is molded into a homogeneous unit by heat and pressure. The solid plastic work surface shall include a molded in pencil groove.

Frame Assembly | Adjustable Height Leg

Upper leg is 15-3/4" long and constructed with 1-1/8" diameter 18-gauge tubular steel welded to a 12-gauge top mounting plate. Mounting plates are secured to the top using eight (8) #12 x 3/4" screws. Upper leg and bracket feature a powder coated paint or nickel chrome finish. Lower leg is 18-gauge tubular steel with nickel chrome finish. Lower leg adjusts in 1" increments and provides an overall height adjustment range of 22"-30". Two (2) 5/16 – 18 x 1/2" Phillips screws secure the upper and lower legs together. A fully welded fixed position cross-brace secures all legs and provides 5.5" of clearance to allow mounting of book box accessories. The cross-brace is a 3/4" diameter 18-gauge steel tube that is fully welded to each leg. Adjustable height models ship assembled with the exception of the lower legs which ship unattached within the carton for field installation.

Frame Assembly | Fixed Legs

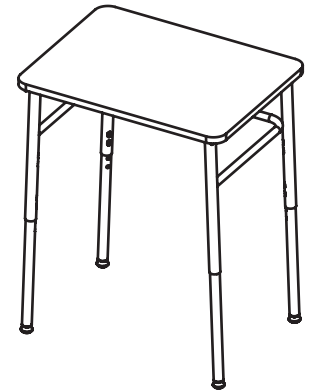
Leg assembly is comprised of three single piece legs with mounting brackets and cross-brace. Legs are 1-1/8" diameter, 18-gauge steel tube and finished with powder coat paint. Legs are designed for an overall fixed top height of 30". Legs are welded to a 12-gauge top mounting plate. Mounting plate is secured to the top using eight (8) #12 x 3/4" screws. A fully welded fixed position cross-brace secures all legs. The cross-brace is a 3/4" diameter 18-gauge steel tube that is fully welded to each leg. Fixed height models ship fully assembled.

Glides

Standard swivel self-leveling glides utilize a six-star internal gripping mechanism which positively secures the glide to the inside of the leg. The "no cuff" design prevents dirt build up. Glides are available in nylon, steel or non-skid (soft rubbery base material made of elastomer/rubber/TPR). Other options include boot glides or Q-ball glides. On the fixed height option, there shall be four adjustable glides in ensure a level work surface.

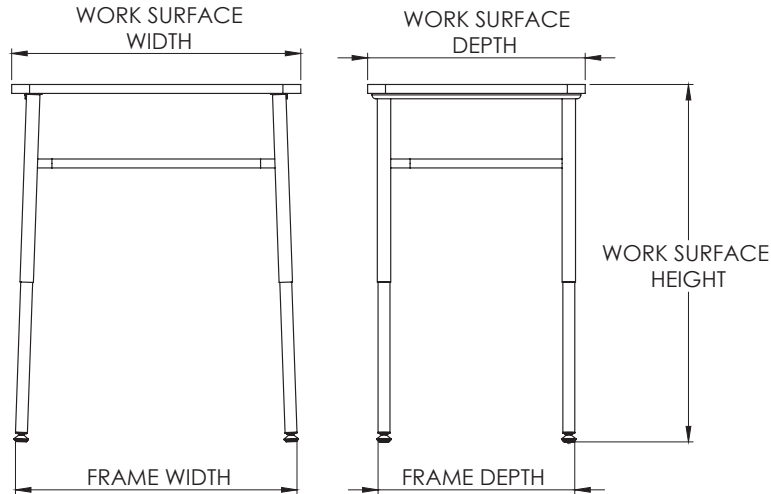
Compliance

- > Indoor Advantage™ Gold. Indoor air quality certified to SCS-EC10.3-2014
- > Tested to applicable ANSI/BIFMA Furniture Standards





7SD Four Leg Rectangle, Adjustable Leg



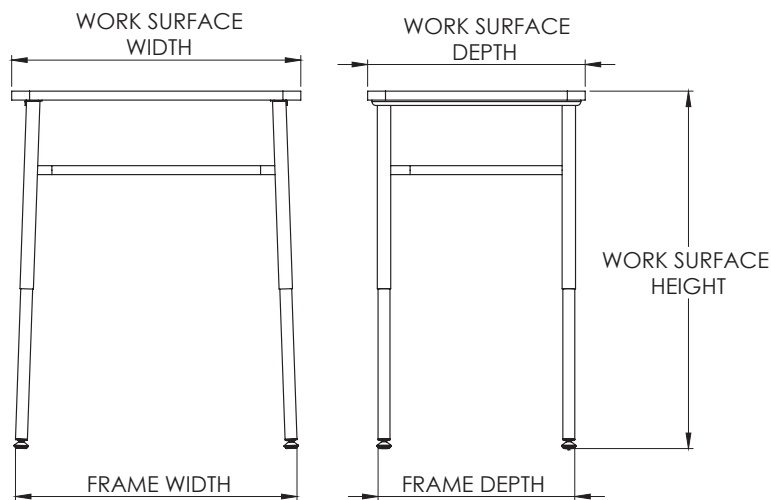
MODEL	FRAME WIDTH"	FRAME DEPTH"	HEIGHT ADJUSTABLE"	D.B.L.*	TOP WIDTH"	TOP DEPTH"
7SD4A03	23.6"	16.5"	22" - 30"	21.5"	24.0"	18.0"
7SD4A0E	23.6"	16.5"	22" - 30"	21.5"	24.0"	18.0"
7SD4A0S	23.6"	16.5"	22" - 30"	21.5"	24.0"	18.0"
7SD4H03	23.6"	16.5"	34" - 42"	21.5"	24.0"	18.0"
7SD4H0E	23.6"	16.5"	34" - 42"	21.5"	24.0"	18.0"
7SD4H0S	23.6"	16.5"	34" - 42"	21.5"	24.0"	18.0"
7SD4A63	24.5"	18"	22" - 30"	22"	26.0"	20.0"
7SD4A6E	24.5"	18"	22" - 30"	22"	26.0"	20.0"
7SD4A6S	24.5"	18"	22" - 30"	22"	26.0"	20.0"
7SD4H63	24.5"	18"	34" - 42"	22"	26.0"	20.0"
7SD4H6E	24.5"	18"	34" - 42"	22"	26.0"	20.0"
7SD4H6S	24.5"	18"	34" - 42"	22"	26.0"	20.0"
7SD4AD3	35"	18"	26" - 34"	31.5"	36.0"	20.0"
7SD4ADE	35"	18"	26" - 34"	31.5"	36.0"	20.0"

Notes

D.B.L — distance between legs



7SD Four Leg Rectangle, Fixed Leg



MODEL	FRAME WIDTH"	FRAME DEPTH"	HEIGHT"	D.B.L.*	TOP WIDTH"	TOP DEPTH"
7SD4F3003	23.60"	16.50"	Fixed 30"	21.50"	24.0"	18.0"
7SD4F300E	23.60"	16.50"	Fixed 30"	21.50"	24.0"	18.0"
7SD4F300S	23.60"	16.50"	Fixed 30"	21.50"	24.0"	18.0"
7SD4F3063	24.50"	18.0"	Fixed 30"	22.0"	26.0"	20.0"
7SD4F306E	24.50"	18.0"	Fixed 30"	22.0"	26.0"	20.0"
7SD4F306S	24.50"	18.0"	Fixed 30"	22.0"	26.0"	20.0"

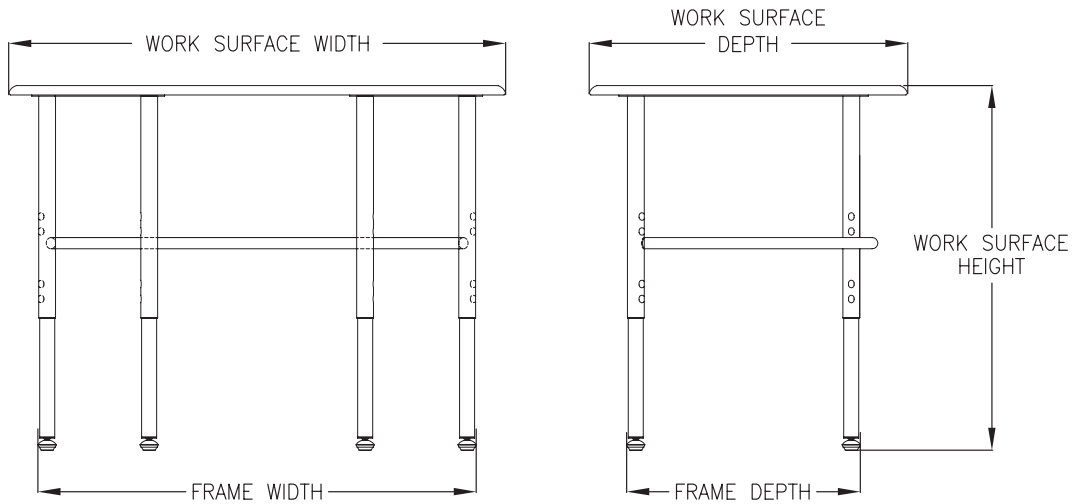
Notes

D.B.L. — distance between legs



7SD Four Leg

Trapezoid, Adjustable Leg



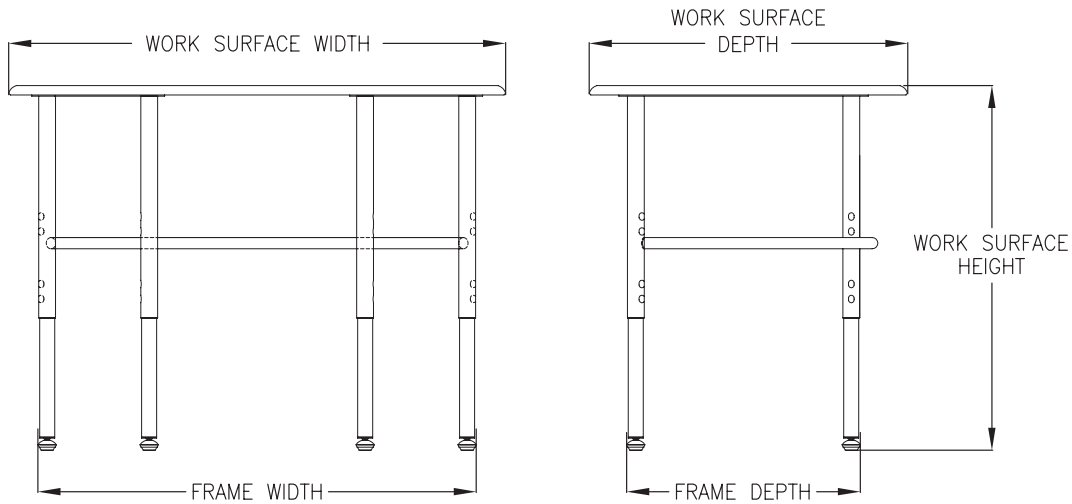
MODEL	FRAME WIDTH"	FRAME DEPTH"	HEIGHT ADJUSTABLE"	D.B.L.*	TOP WIDTH"	TOP DEPTH"
7SD4AT3	29.75"	19"	22" - 30"	26.25"	32.0"	20.0"
7SD4ATE	29.75"	19"	22" - 30"	26.25"	32.0"	20.0"

Notes

D.B.L — distance between legs



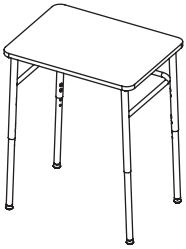
7SD Four Leg Trapezoid, Fixed Leg



MODEL	FRAME WIDTH"	FRAME DEPTH"	HEIGHT"	D.B.L.*	TOP WIDTH"	TOP DEPTH"
7SD4F30T3	29.75"	19.0"	Fixed 30"	26.25"	32.0"	20.0"
7SD4F30TE	29.75"	19.0"	Fixed 30"	26.25"	32.0"	20.0"

Notes

D.B.L — distance between legs



7SD Four Leg Rectangle & Trapezoid

Accessories



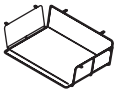
Translucent Polypropylene Book Box (TA-BBP17)

Injection-molded clear kostrate edge ME plastic. Attaches to the underside of laminate work surfaces with #10 x 5/8" pan head wood screws or #10-16 x 5/8" type 25 self-tapping screws for use with solid plastic tops. Exterior dimensions of 17.13" W x 13.25" D x 5.50" H. Refer to price list for compatibility by model.



Wire Frame Book Box (TA-BBW15)

Constructed of #4 steel wire with a nickel chrome finish. Attaches to the underside of laminate work surfaces with #10 x 5/8" pan head wood screws or #10-16 x 1/2" type 25 self-tapping screws for use with solid plastic tops. Exterior dimensions of 15.00" W x 13.25" D x 5.25" H. Refer to price list for compatibility by model.



Perforated Metal Book Box (TA-BBM16, TA-BBM22)

Constructed of #4 steel wire and 20-gauge perforated steel with a powder coat paint finish. Attaches to the underside of laminate work surfaces with #10 x 5/8" pan head wood screws or #10-16 x 1/2" type 25 self-tapping screws for use with solid plastic tops. Exterior dimensions of 21.75" W x 14.25" D x 5.25" H (Large) or 16.00" W x 13.25" D x 5.25" H (Small). Refer to price list for compatibility by model.



Full Metal Book Box (TA-BBM16)

Deep drawn 16-gauge steel with a powder coat paint finish. Attaches to the underside of laminate work surfaces with #10 x 5/8" pan head wood screws or #10-16 x 1/2" type 25 self-tapping screws for use with solid plastic tops. Exterior dimensions of 17.50" W x 14.00" D x 5.13" H



Backpack Hook (TA-BPH)

Constructed of #4 steel wire and 14-gauge mounting plate with a nickel chrome finish. Attaches to the underside of laminate work surfaces with #10 x 5/8" pan head wood screws or #10-16 x 1/2" type 25 self-tapping screws for use with solid plastic tops. Exterior dimensions of 2.25" W x 1.25" D x 2.35" H. Refer to price list for compatibility by model.