

# Shape Student Desks

Shape Student Desks are available in a range of work surface materials and shapes. Leg kits are specified separately.

## **DST 3/4" Particleboard Core with Flat Banded Edge (E) - DST Models**

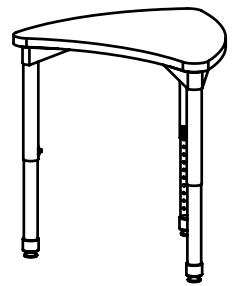
Work surface is constructed of 3/4" thick 45# particleboard core surfaced with high-pressure laminate (HPL) top and phenolic backer sheet for balanced construction. 3/4" flat vinyl edge is secured to the perimeter of the top.

## **1 1/8" Particleboard Core with Flat Banded Edge (E) - DHT Models**

Work surface is constructed of a 1 1/8" thick 45# particleboard core with high-pressure laminate (HPL) top surface and phenolic backer sheet for balanced construction. 1 1/8" flat vinyl edge is secured to the perimeter of the top.

## **Compliance**

- > Tested to applicable ANSI/BIFMA Furniture Standards
- > Indoor Advantage™ Gold. Indoor air quality certified to SCS-EC10.3-2014



# Shape Student Desks

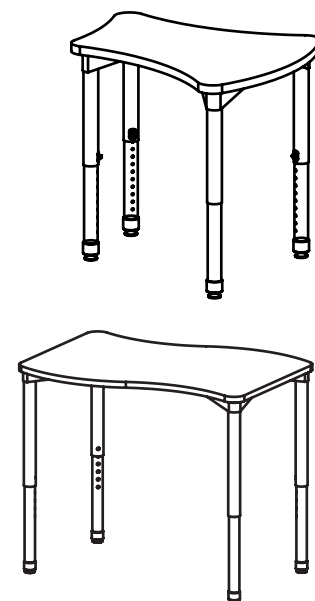
## Legs

DSL-4AAP Seated Height legs are height adjustable from 22"–34" in 1" increments. Legs are comprised of a 1.5" diameter 14-gauge powder coat upper leg receiver and a 1 3/8" 16-gauge chrome plated lower leg insert with decorative polypropylene cover and 3/8"-16 threaded nut. A single 10-32 1/8" Allen head button screw is used to lock the leg at the desired height. Legs include standard 3/8"–16 threaded stem nylon glides that provide 3/4" height adjustment range. Upper leg is welded to a 13-gauge formed steel leg bracket with a wrap-around single piece 13-gauge formed steel gusset for additional strength. Optional 37mm soft dual-wheel locking casters with a 3/8"–16 threaded stem are available for easy field installation. Optional 50mm soft dual-wheel locking casters with a 3/8"–16 threaded stem are available for easy field installation. TA-CPS4 Casters are black. TA-CPMS50T4 NXT MOV Caster are two tone medium gray with dark gray tread.

DSL-4F Fixed Height Legs bring assembled height of DST (7/8") desk tops to: 25", 27", 29". Legs are comprised of a 1.31" diameter 14-gauge powder coat. Leg insert is a decorative polypropylene cover. Leg is welded to a 13-gauge formed steel leg bracket with a wrap-around single piece 13-gauge formed steel gusset for additional strength. Legs include standard 3/8"–16 threaded stem nylon glides that provide 3/4" height adjustment range. Optional 50mm soft dual-wheel locking casters with a 3/8"–16 threaded stem are available for easy field installation. TA-CPS4 Casters are black. TA-CPMS50T4 NXT MOV Caster are two tone medium gray with dark gray tread.

DTLP legs are available in 2 adjustable height ranges: standing height legs (DTLP-4ASP) adjust from 27"–42" in 1" increments; seated height legs (DTLP-4ATP) adjust from 19"–29". Legs are comprised of a 2" diameter 16-gauge powder coat upper leg receiver and 1 3/4" 16-gauge chrome plated lower leg insert with decorative polypropylene cover and 3/8"-16 threaded nut. A single 3/16" allen set screw is used to lock the leg at the desired height. Upper leg is welded to a 1/8" steel triangular top plate with three 14-gauge gussets for additional strength. Optional 50mm soft dual-wheel locking casters with a 3/8"–16 threaded stem are available for easy field installation. TA-CPS4 Casters are black. TA-CPMS50T4 NXT MOV Caster are two tone medium gray with dark gray tread.

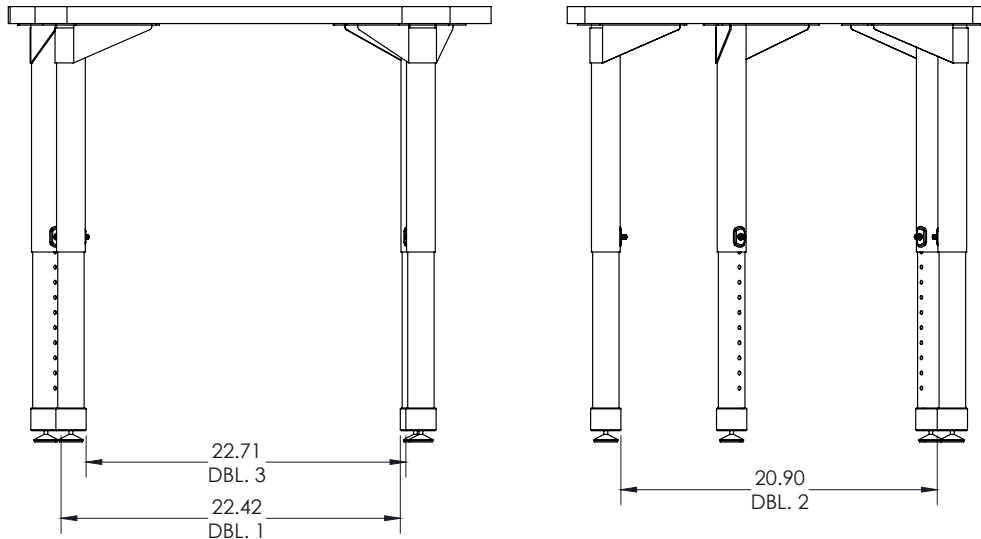
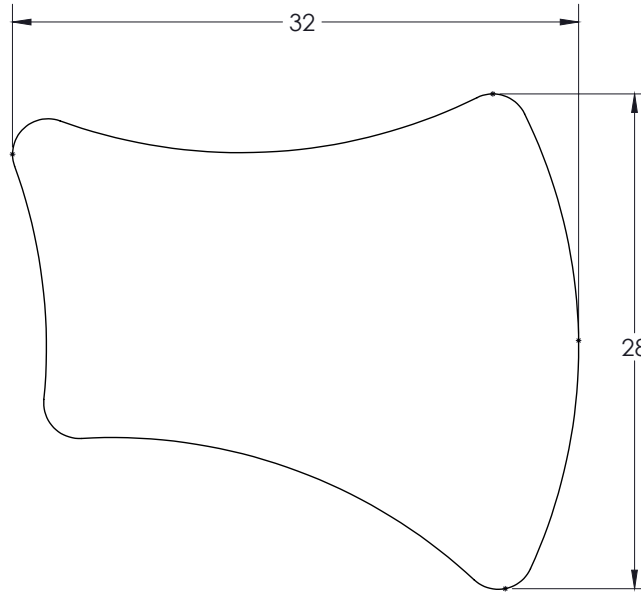
DTLP-4F Fixed Height Legs bring assembled height of DHT (1-1/4") desk tops to: 25", 27", 29". Legs are comprised of a 1.75" diameter 14-gauge powder coat. Leg insert is a decorative polypropylene cover. Leg is welded to a 13-gauge formed steel leg bracket with a wrap-around single piece 13-gauge formed steel gusset for additional strength. Legs include standard 3/8"–16 threaded stem nylon glides that provide 3/4" height adjustment range. Optional 50mm soft dual-wheel locking casters with a 3/8"–16 threaded stem are available for easy field installation. TA-CPS4 Casters are black. TA-CPMS50T4 NXT MOV Caster are two tone medium gray with dark gray tread.





# NXT MOV Shape Desk

## Intrepid



MODEL	LENGTH "	WIDTH "	HEIGHT "	D.B.L.*
DST-INT2832E	32.0"	28.0"	22-34"	22.7"
DHT-INT2832E	32.0"	28.0"	27-42"	22.7"

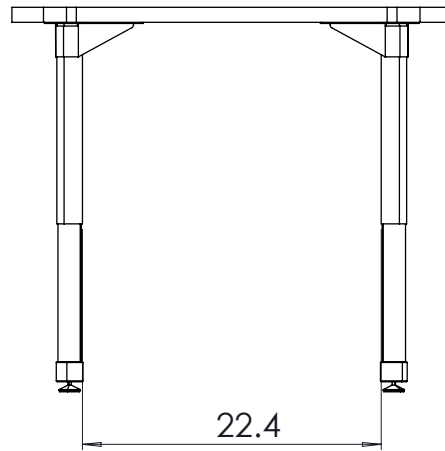
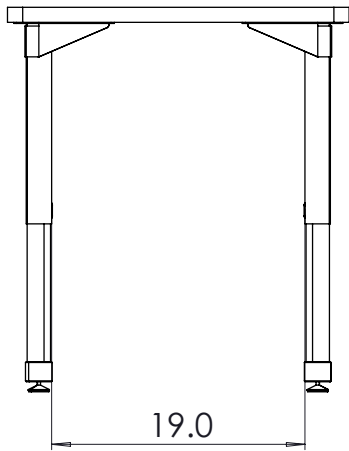
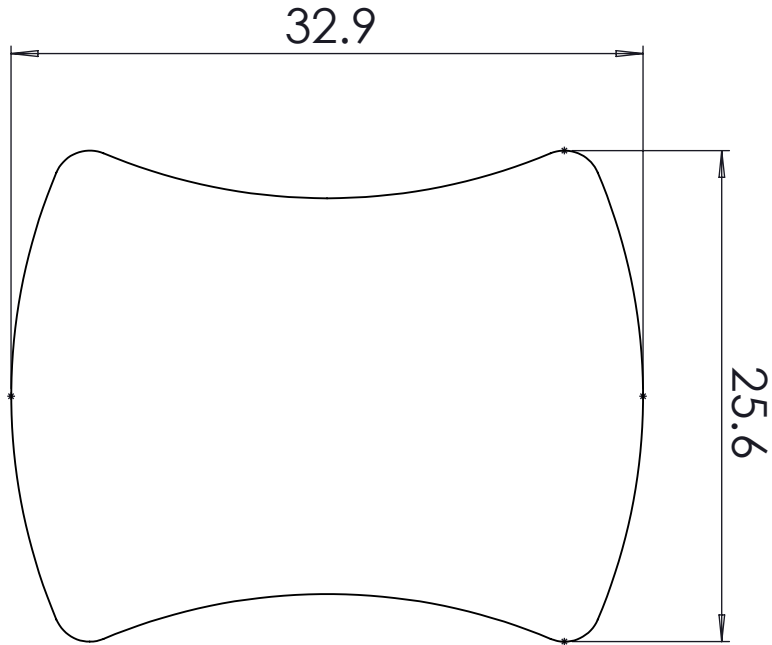
**Notes**

D.B.L — distance between legs



# NXT MOV Shape Desk

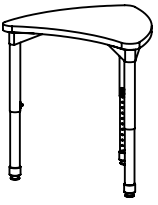
## Wanderer



MODEL	LENGTH "	WIDTH "	HEIGHT "	D.B.L.*
DST-RV2633E	33.0"	26.0"	22-34"	23.3"
DHT-RV2633	33.0"	26.0"	27-42"	23.3"

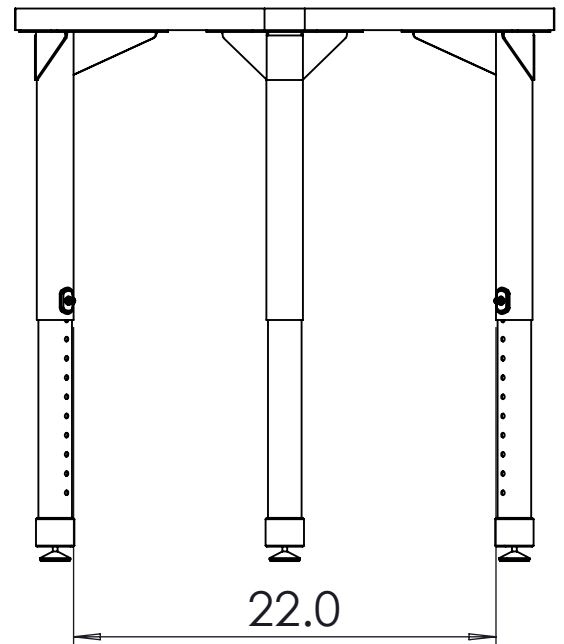
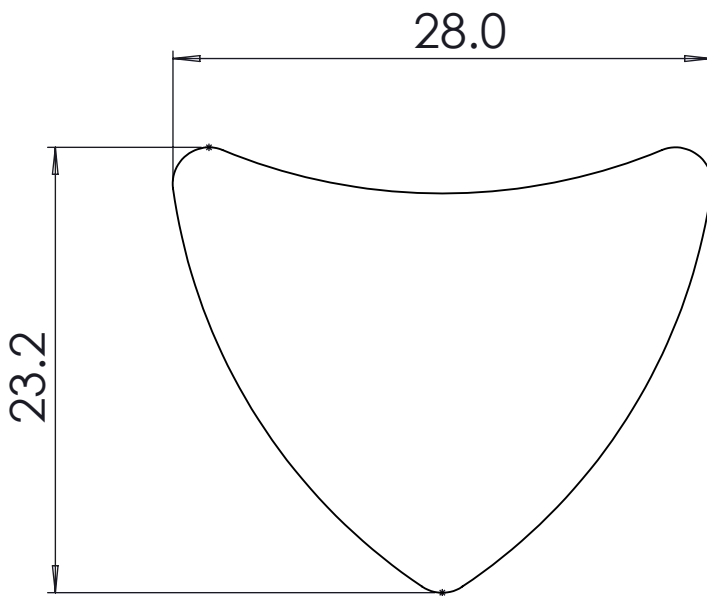
**Notes**

D.B.L — distance between legs



# NXT MOV Shape Desk

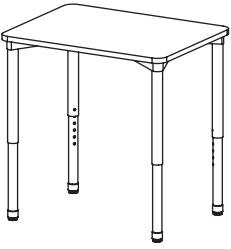
Trek



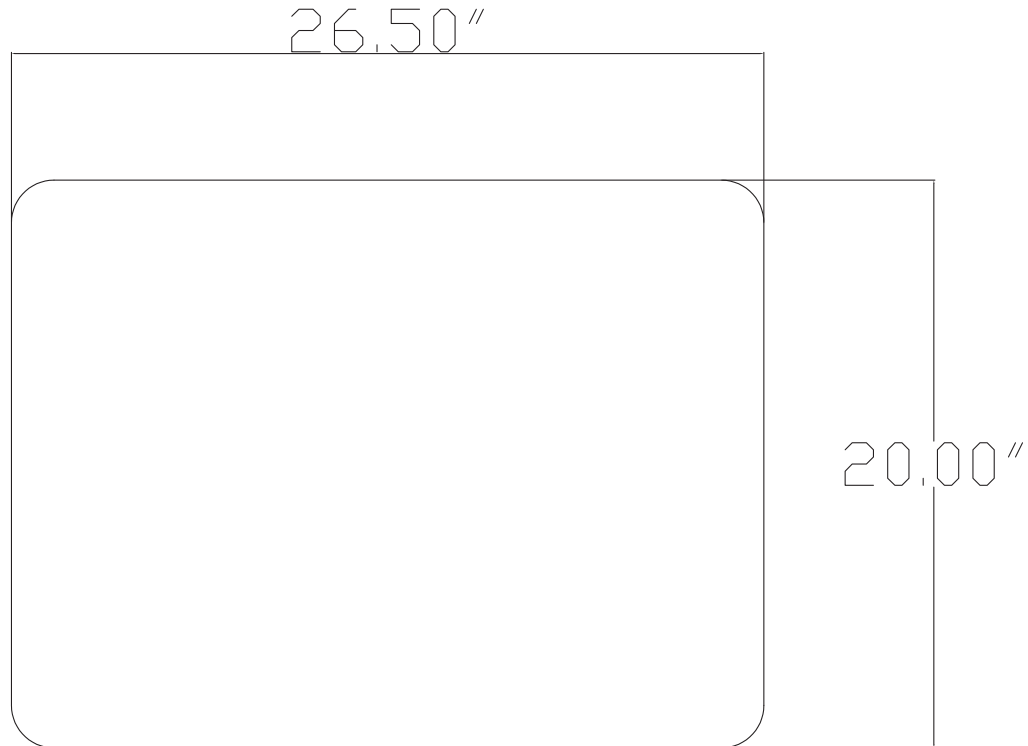
MODEL	LENGTH "	WIDTH "	HEIGHT "	D.B.L.*
DST-TK2530E	30.0"	25.0"	22-34"	22.8"
DHT-TK2530E	30.0"	25.0"	27-42"	22.8"

### Notes

D.B.L — distance between legs



# Shape Student Desk | Four Leg Rectangle

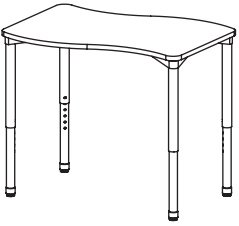


\* DST-RC2026 SHOWN

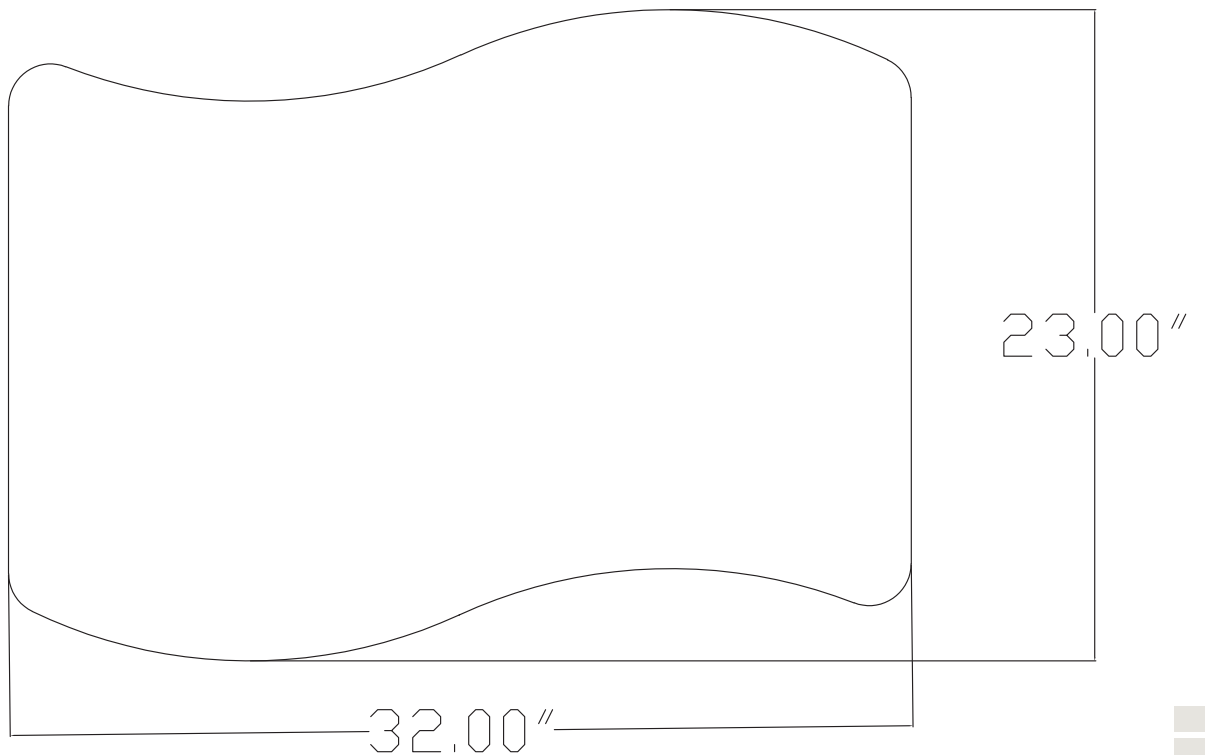
MODEL	LENGTH "	WIDTH "	HEIGHT "	D.B.L.*
<b>20" x 26"</b>				
DST-RC2026E	26.5"	20.0"	22-34"	22.0"
DHT-RC2026E	26.5"	20.0"	27-42"	22.0"
<b>20" x 36"</b>				
DST-RC2036E	36.0"	20.0"	22-34"	30.0"
DHT-RC2036E	36.0"	20.0"	27-42"	30.0"

## Notes

D.B.L — distance between legs



# Shape Student Desk | Four Leg Expanse



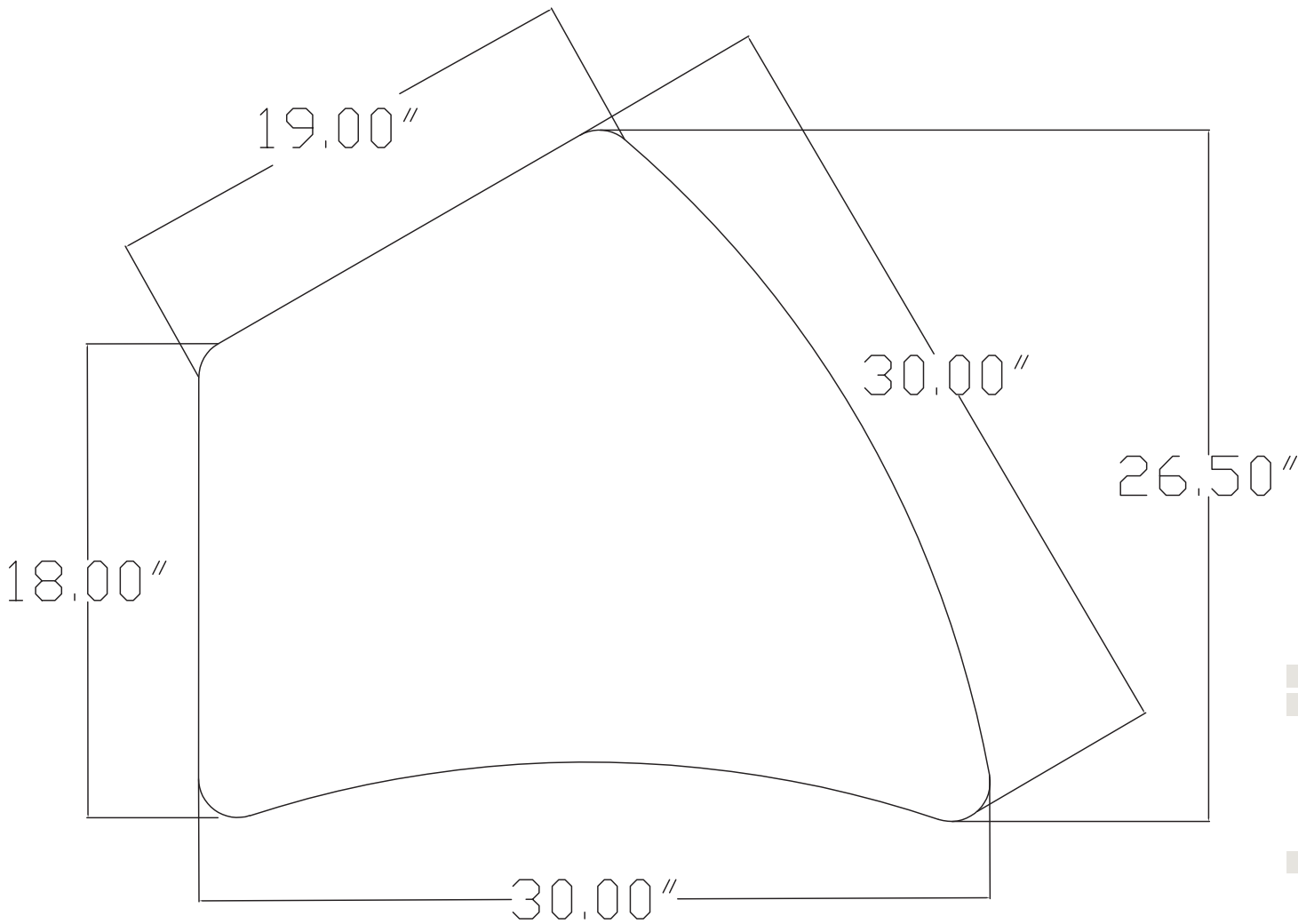
MODEL	LENGTH "	WIDTH "	HEIGHT "	D.B.L.*
DST-EX2232E	32.0"	23.0"	22-34"	28.1"
DHT-EX2232E	32.0"	23.0"	27-42"	28.1"

#### Notes

D.B.L — distance between legs



# Shape Student Desk | Four Leg Aperture

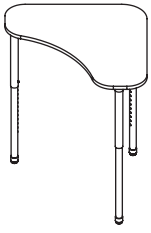


MODEL	LENGTH "	WIDTH "	HEIGHT "	D.B.L.*
DST-AP1830E	30.0"	18.0"-26.5"	22-34"	26.3"
DHT-AP1830E	30.0"	18.0"-26.5"	27-42"	26.3"

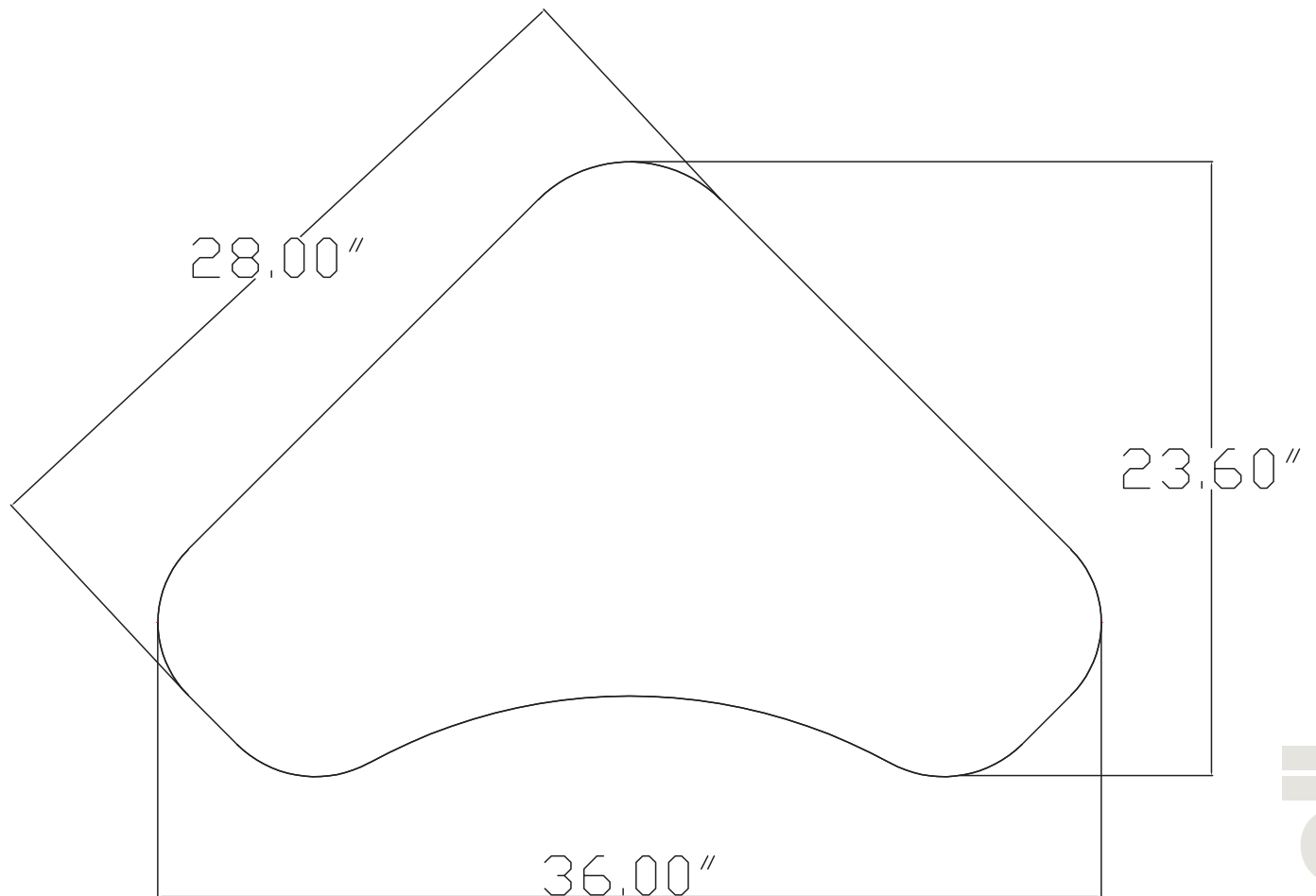
**Notes**  
D.B.L — distance between legs

artcobell





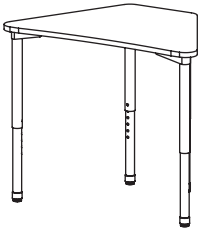
# Shape Student Desk | Four Leg Tri-Top



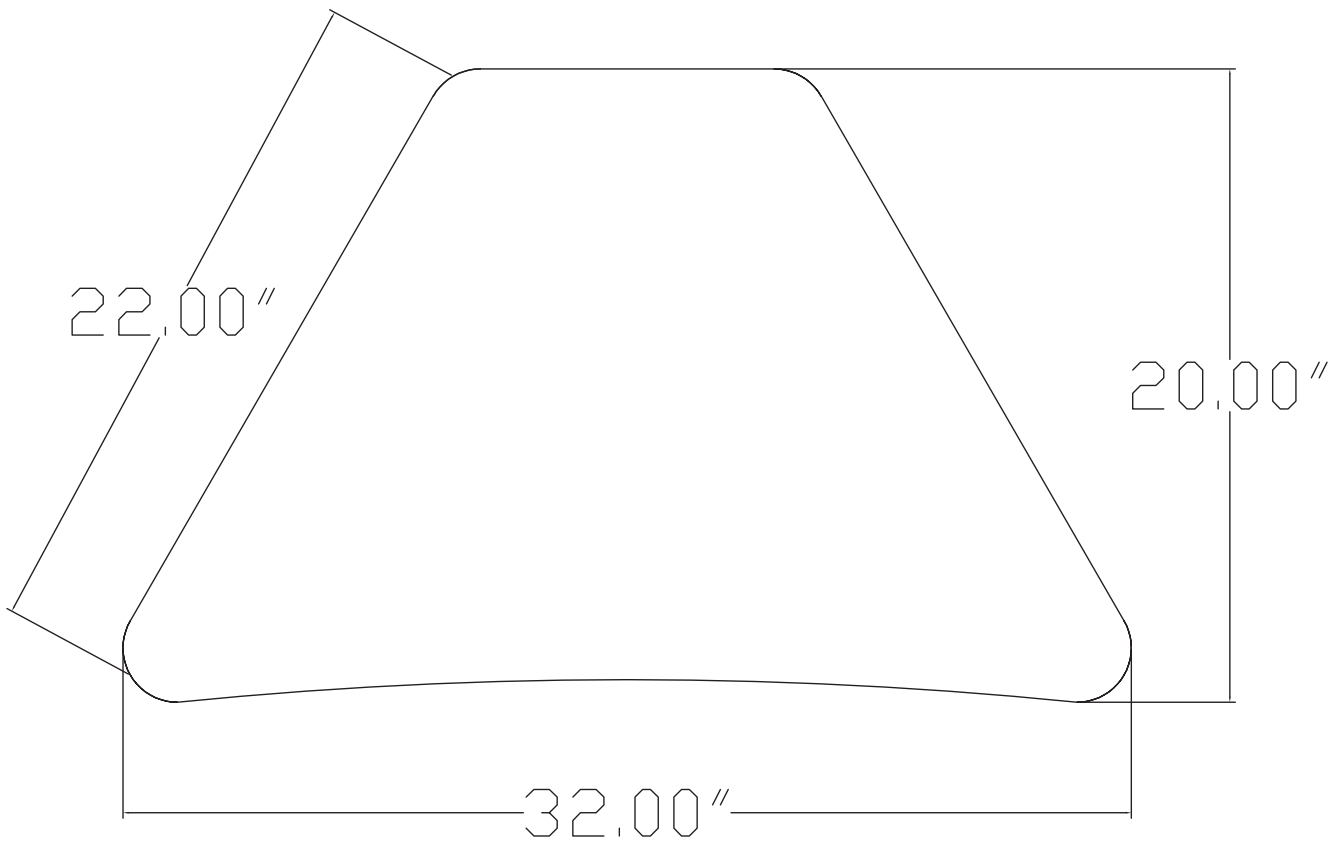
MODEL	LENGTH "	WIDTH "	HEIGHT "	D.B.L.*
DST-TT2828E	23.6"	36.0"	22-34"	31.0"
DHT-TT2828E	23.6"	36.0"	27-42"	31.0"

#### Notes

D.B.L. — distance between legs



# Shape Student Desk | Four Leg Trapezoid 6



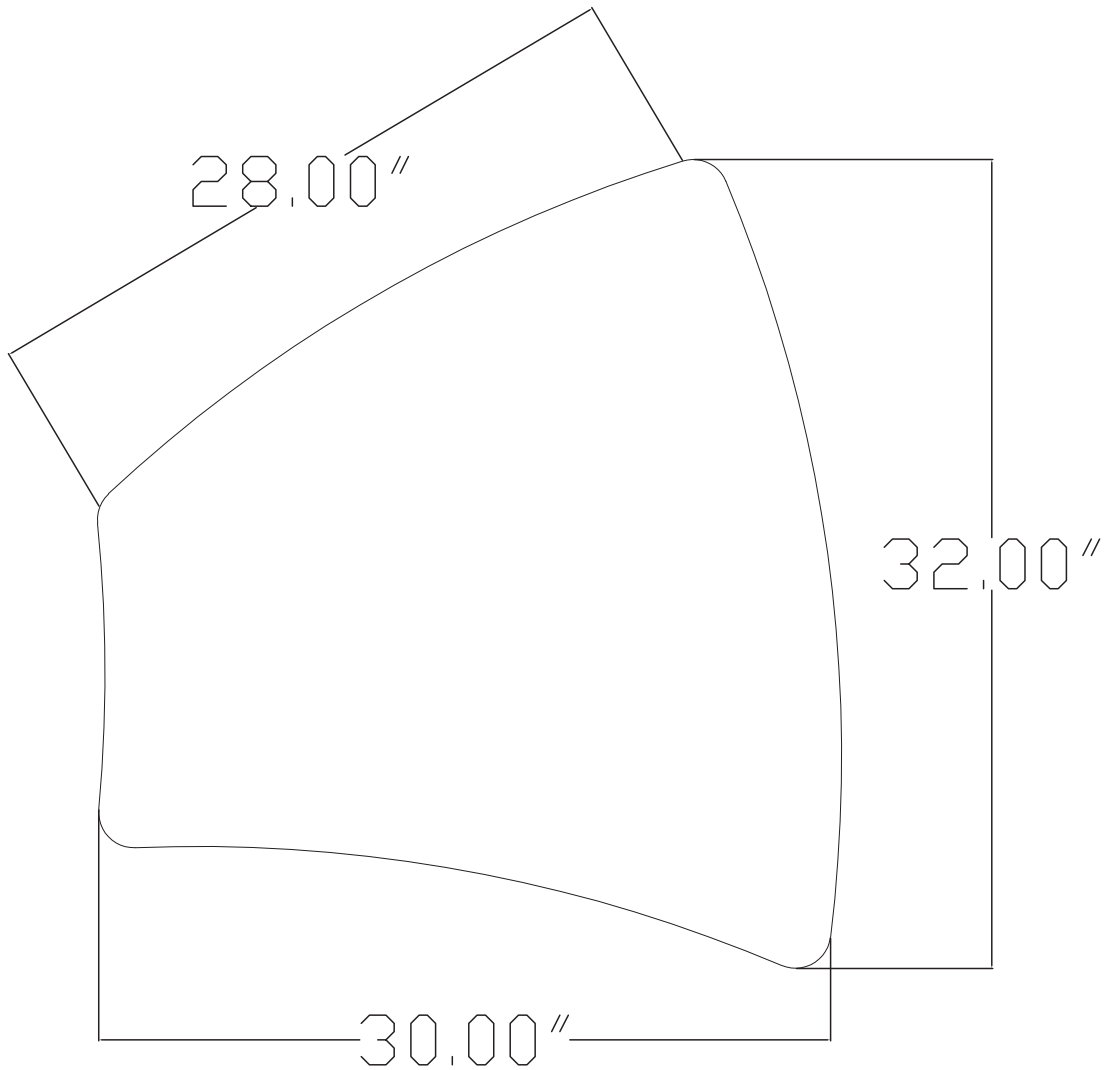
MODEL	LENGTH "	WIDTH "	HEIGHT "	D.B.L.*
DST-T6E	32.0"	20.0"	22-34"	27.1"
DHT-T6E	32.0"	20.0"	27-42"	27.1"

#### Notes

D.B.L. — distance between legs



# Shape Student Desk | Four Leg Kite



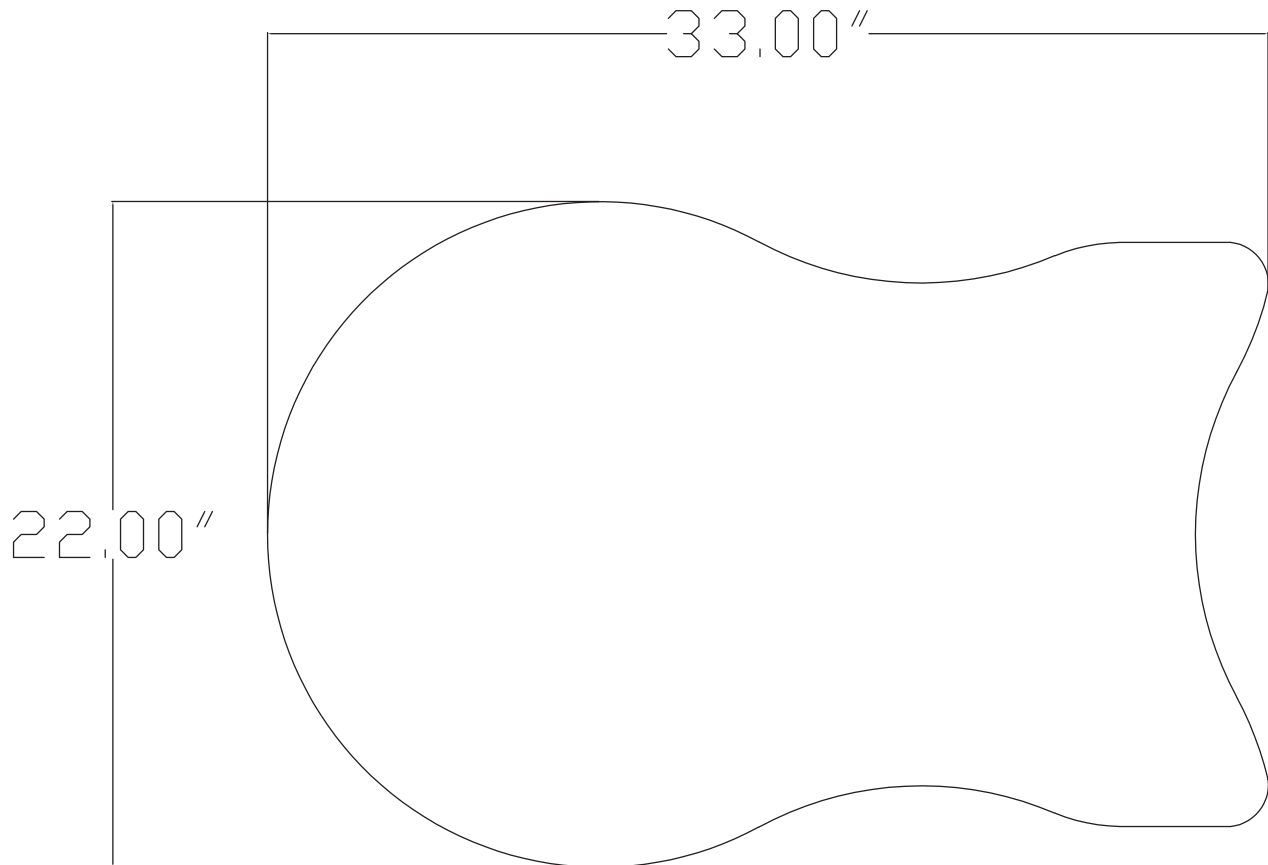
MODEL	LENGTH "	WIDTH "	HEIGHT "	D.B.L.*
DST-KT3032E	30.0"	32.0"	22-34"	22.8"
DHT-KT3032E	30.0"	32.0"	27-42"	22.8"

### Notes

D.B.L. — distance between legs



# Shape Student Desk | Four Leg Beta



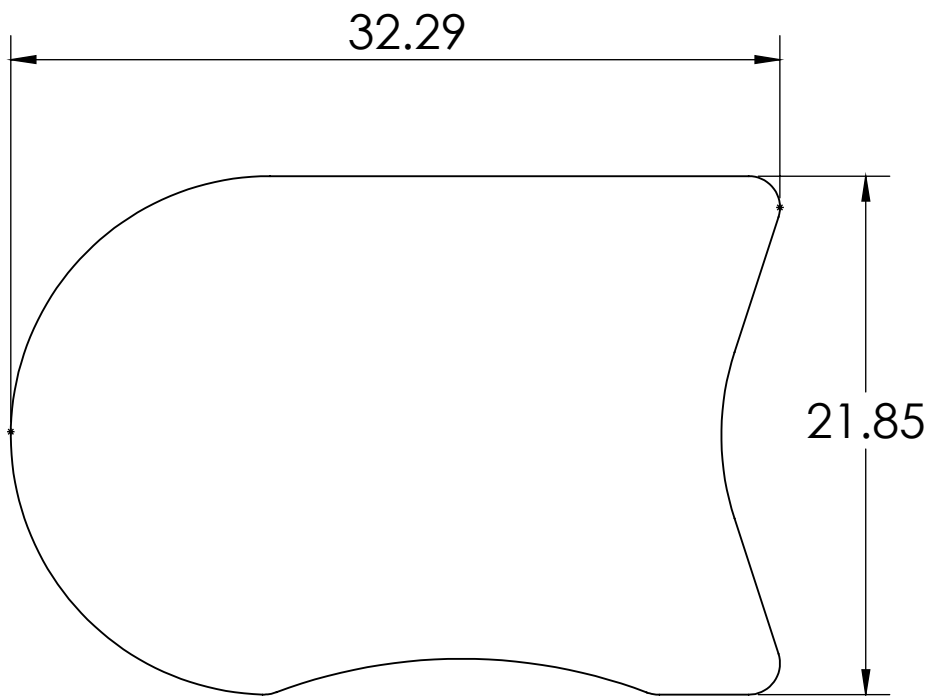
MODEL	LENGTH "	WIDTH "	HEIGHT "	D.B.L.*
DST-BT2233E	33.0"	22.0"	22-34"	25.0"
DHT-BT2233E	33.0"	22.0"	27-42"	25.0"

### Notes

D.B.L — distance between legs



# Shape Student Desk | Four Leg Beta Straight



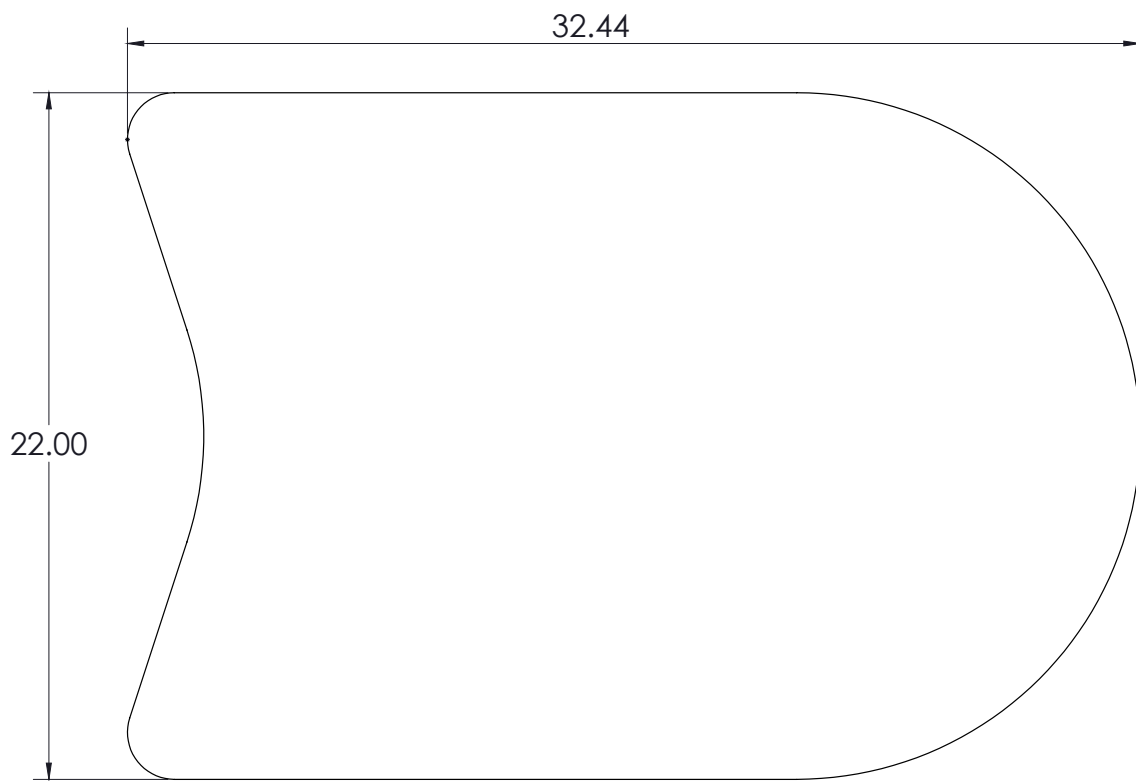
MODEL	LENGTH "	WIDTH "	HEIGHT "	D.B.L.*
DST-BS2233E	32.3"	22.0"	22-34"	25.0"
DHT-BS2233E	32.3"	22.0"	27-42"	25.0"

#### Notes

D.B.L. — distance between legs



# Shape Student Desk | Four Leg Linc



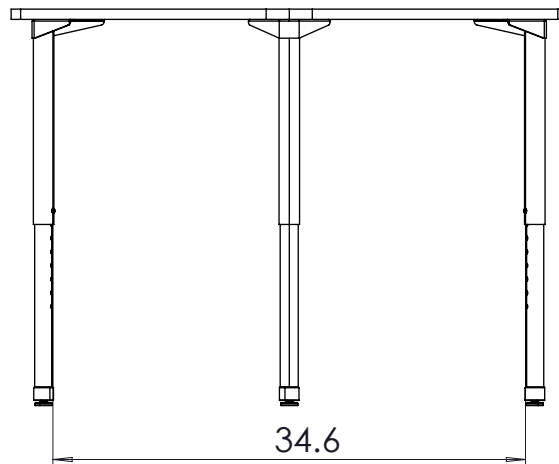
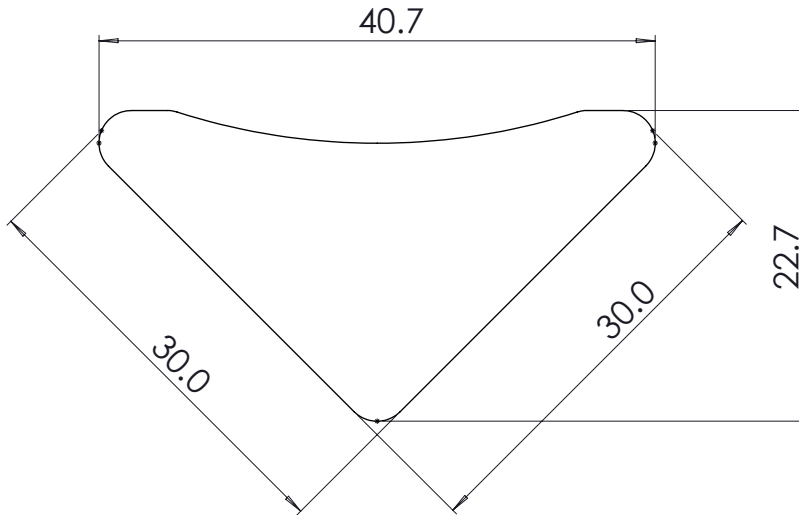
MODEL	LENGTH "	WIDTH "	HEIGHT "	D.B.L.*
DST-LC2232E	32.44"	22.0"	22-34"	25.25"
DHT-LC2232E	32.44"	22.0"	27-42"	25.25"

#### Notes

D.B.L — distance between legs



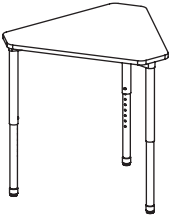
# Shape Student Desk | Three Leg Swoop



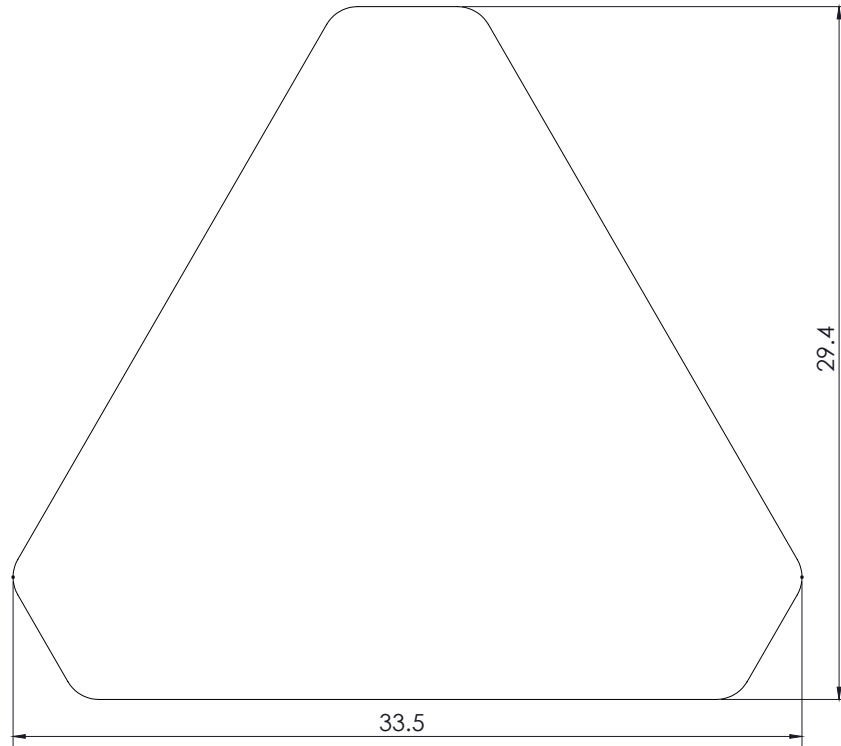
MODEL	LENGTH "	WIDTH "	DEPTH"	HEIGHT "	D.B.L.*
DST-SW3030E	40.9"	30.4"	22.9"	22-34"	34.9"
DHT-SW3030E	40.9"	30.4"	22.9"	22-34"	29.5"

**Notes**

D.B.L — distance between legs



# Shape Student Desk | Three Leg Sail



MODEL	LENGTH "	WIDTH "	HEIGHT "	D.B.L.*
<b>27" x 30"</b>				
DST-SL2730E	30.5"	26.8"	22-34"	23.9"
DHT-SL2730E	30.5"	26.8"	27-42"	23.9"
<b>30" x 34"</b>				
DST-SL3034E	33.5"	29.4"	22-34"	27.0"
DHT-SL3034E	33.5"	29.4"	27-42"	27.0"

#### Notes

D.B.L. — distance between legs