

CY Series

The CY table features a double pedestal leg with a 24" or 30" depth top and is available in four widths.

1 1/8" Particleboard Core with Flat Banded Edge (F)

The TOP is constructed of a solid core 1 1/8" particle board surfaced with high-pressure laminate and a backer sheet for balanced construction and minimize warping. Vinyl flat edge secured to the perimeter of the top.

Frame

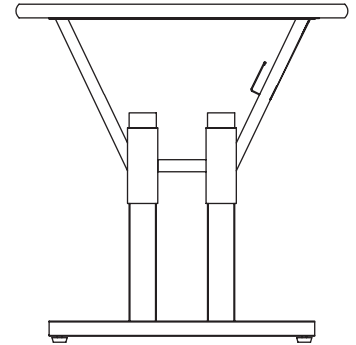
Upper frame constructed of two 1 1/4" x 2 1/4" 14-gauge rectangular steel tubes on each side welded to a 1" 16-gauge square cross brace. An upper support of 1" 16-gauge square steel tube is welded to the frame create the "Y" components on each side. The wire management tray and modesty panel is die cut from 16-gauge sheet steel. Upper frame available with powder coat finish; completed after welding for improved aesthetics. Lower frame (inserts) is constructed of a 1" x 2 1/4" 16-gauge rectangular steel tube welded to a 1 1/4" 11-gauge square steel tube with nickel chrome finish to form the pedestal base. Inserts receive Phillips locking adjustment bolts in 1" increments. Leveling capability of 3/4" to adjust for uneven floors.

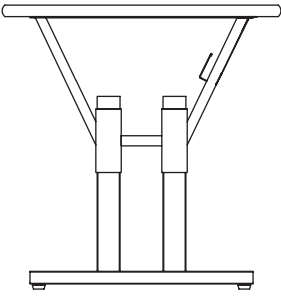
Glides

1 5/8" diameter nickel plated steel with adjustable height feature for uneven floors and nylon base. Also available with four locking 3" casters.

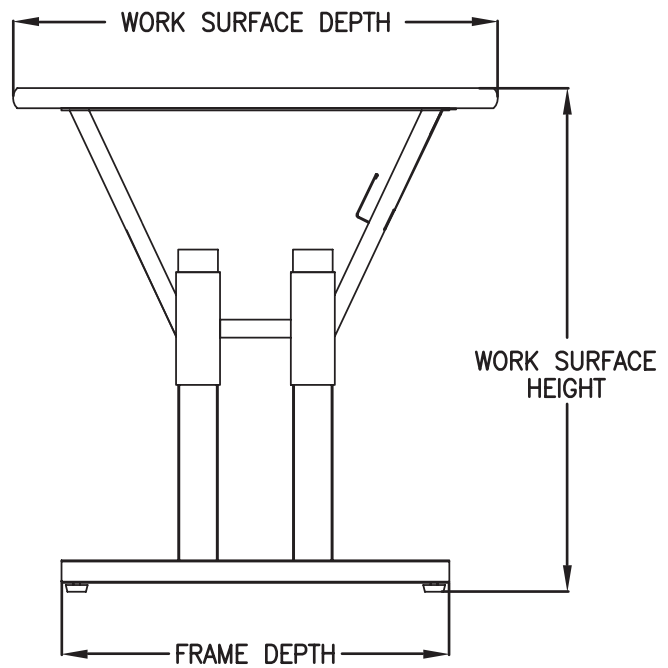
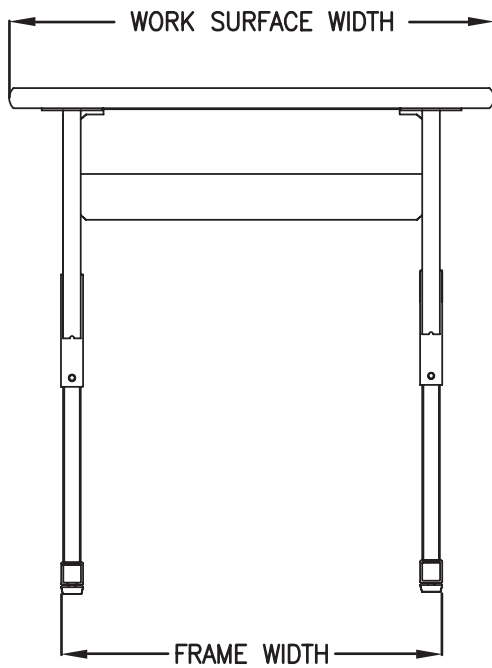
Compliance

- > Indoor Advantage™ Gold. Indoor air quality certified to SCS-EC10.3-2014
- > Tested to applicable ANSI/BIFMA Furniture Standards





CY Series



MODEL	FRAME WIDTH"	FRAME DEPTH"	TOP HEIGHT"	TOP WIDTH"	TOP DEPTH"
CY13	21.6"	22.0"	25"-32"	36.0"	24.0"
CY14	33.6"	22.0"	25"-32"	48.0"	24.0"
CY15	45.6"	22.0"	25"-32"	60.0"	24.0"
CY16	57.6"	22.0"	25"-32"	72.0"	24.0"
CY03	21.6"	26.2"	25"-32"	36.0"	30.0"
CY04	33.6"	26.2"	25"-32"	48.0"	30.0"
CY05	45.6"	26.2"	25"-32"	60.0"	30.0"
CY06	57.6"	26.2"	25"-32"	72.0"	30.0"