

Bookshelves

12" deep and 37-1/2" wide bookshelves are available in 36", 48", 60" and 72" heights. Units are single-sided, open-faced with thermo-fused laminate cladding. All interior shelves are adjustable.

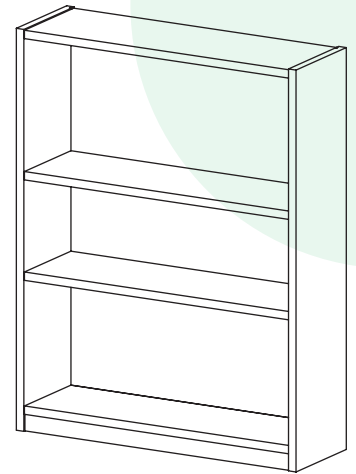
Ends, Tops, Bottoms, and Toe Kicks are 1" thermo-fused laminate with all exposed edges banded with 2mm matching PVC. Tops, Bottoms and Toe Kicks are secured to both ends with zinc die cast cam lock and post connectors. All 1" thick thermo-fused laminate shelves measure 10-5/8" wide by 34-7/8" long. Adjustable shelves are banded on the front and back edges with 2mm PVC, allowing them to be fully interchangeable and reversible in case of damage or vandalism. Shelf pins are zinc plated steel pins supported with plastic Rafix TAB connectors. Each connector features a sliding cover cap to make pre-installation possible and eliminate shelf movement or falling shelf pins caused by shifting items.

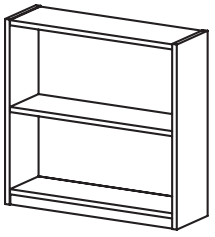
Tops, Bottoms and Ends are dadoed to receive back panels and lock them in place. Backs are 1/4" thick matching thermos-fused laminate on MDF core. A Back panel support is pocket-routed to ends on 60" and 72" height models (particleboard 3"x35"x.75 thick). Tack glides, quantity 4, are 5/8" diameter x .75" long, nailed in.

Note: There will be a .25" gap between the vertical panels when units installed in runs.

Compliance

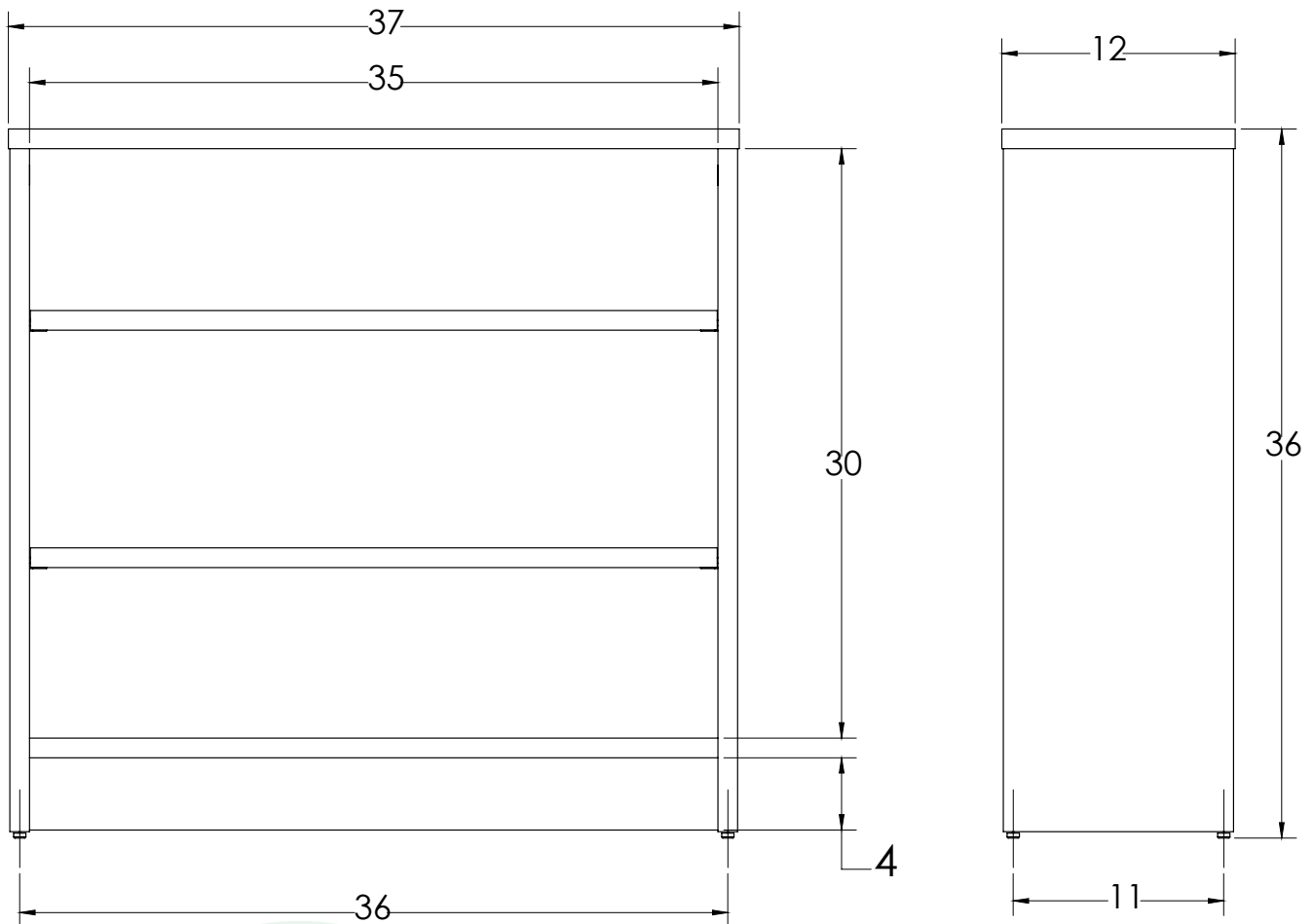
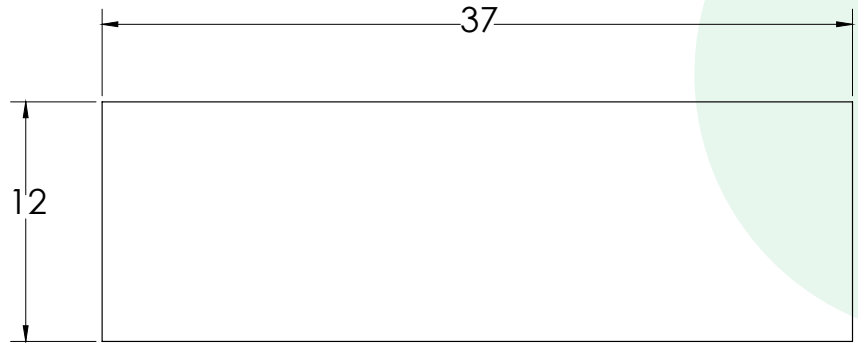
> Tested to applicable ANSI/BIFMA Furniture Standards





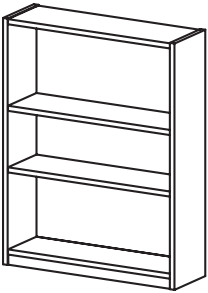
Bookshelves

36" h



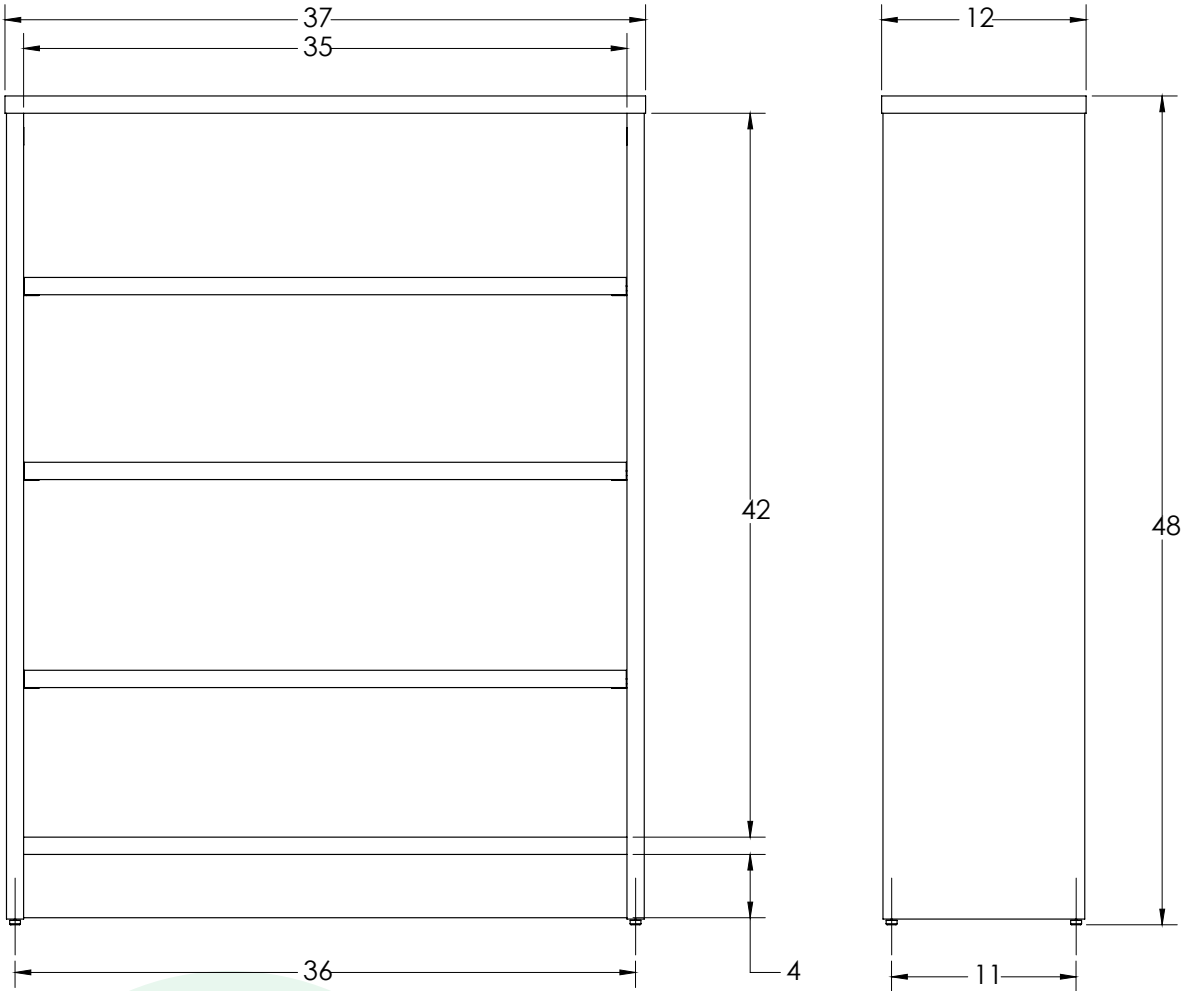
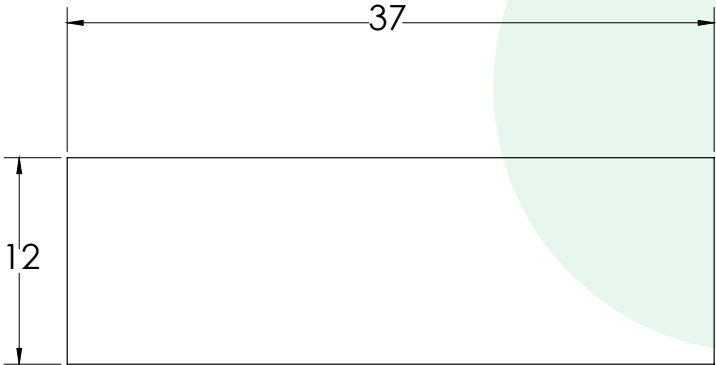
MODEL	HEIGHT "	WIDTH "	DEPTH "
A1236MBC	36.0"	37.25"	11.63"

Learn more at artcobell.com



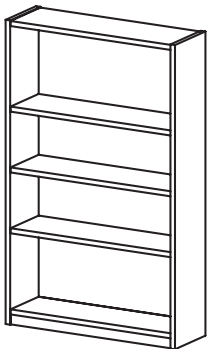
Bookshelves

48" h



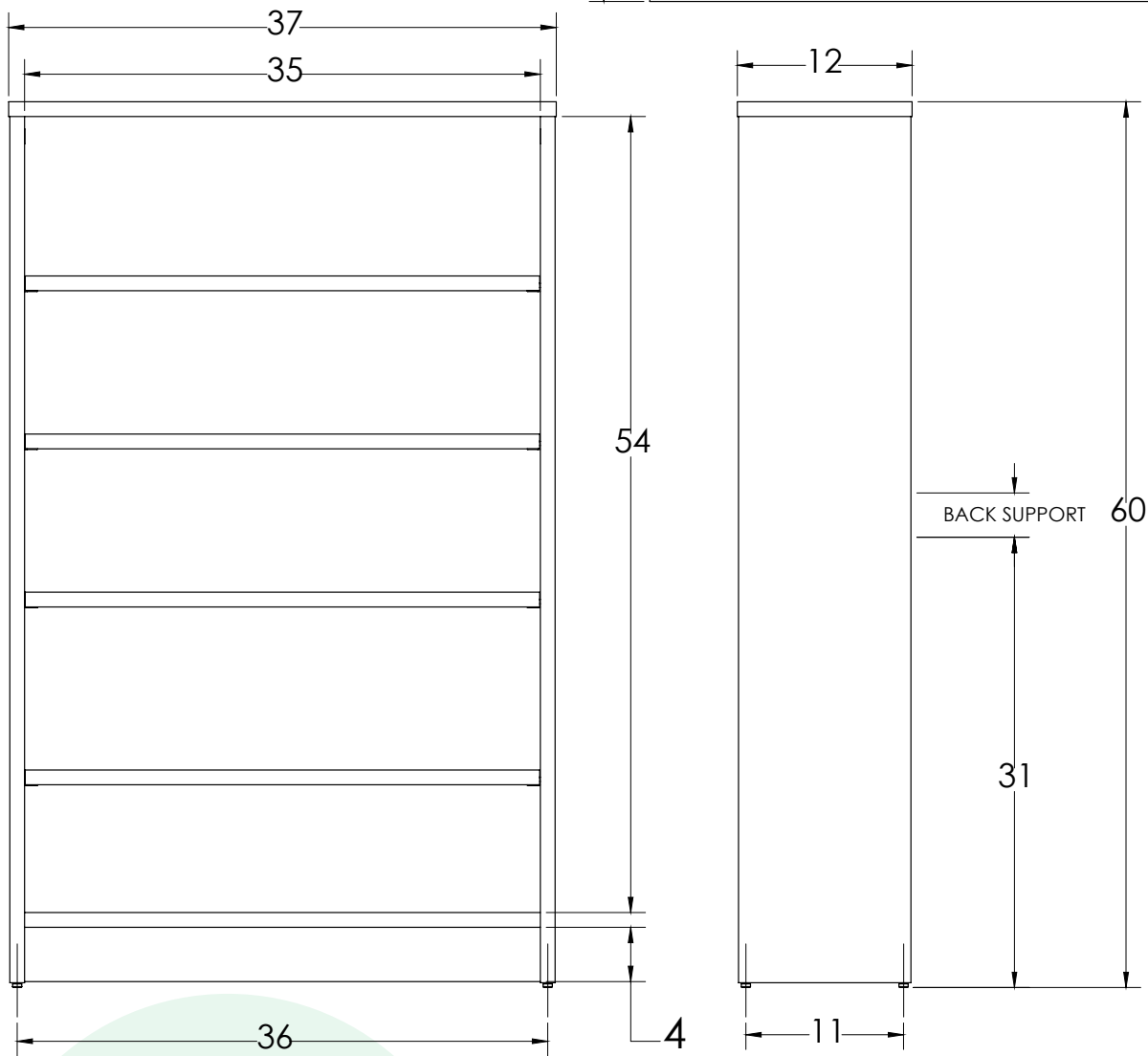
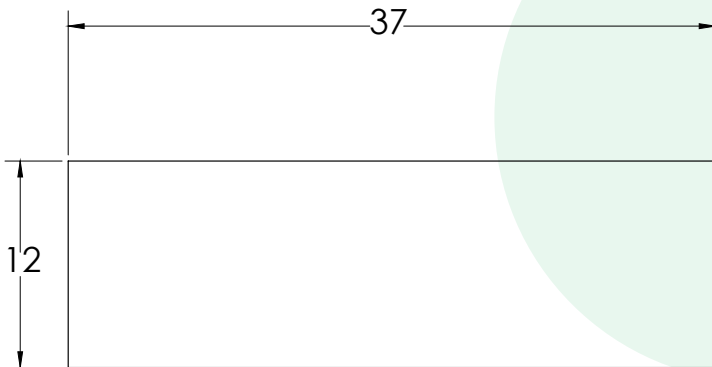
MODEL	HEIGHT "	WIDTH "	DEPTH "
A1248MBC	48.0"	37.25"	11.63"

Learn more at artcobell.com



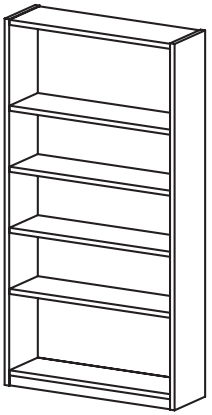
Bookshelves

60"h



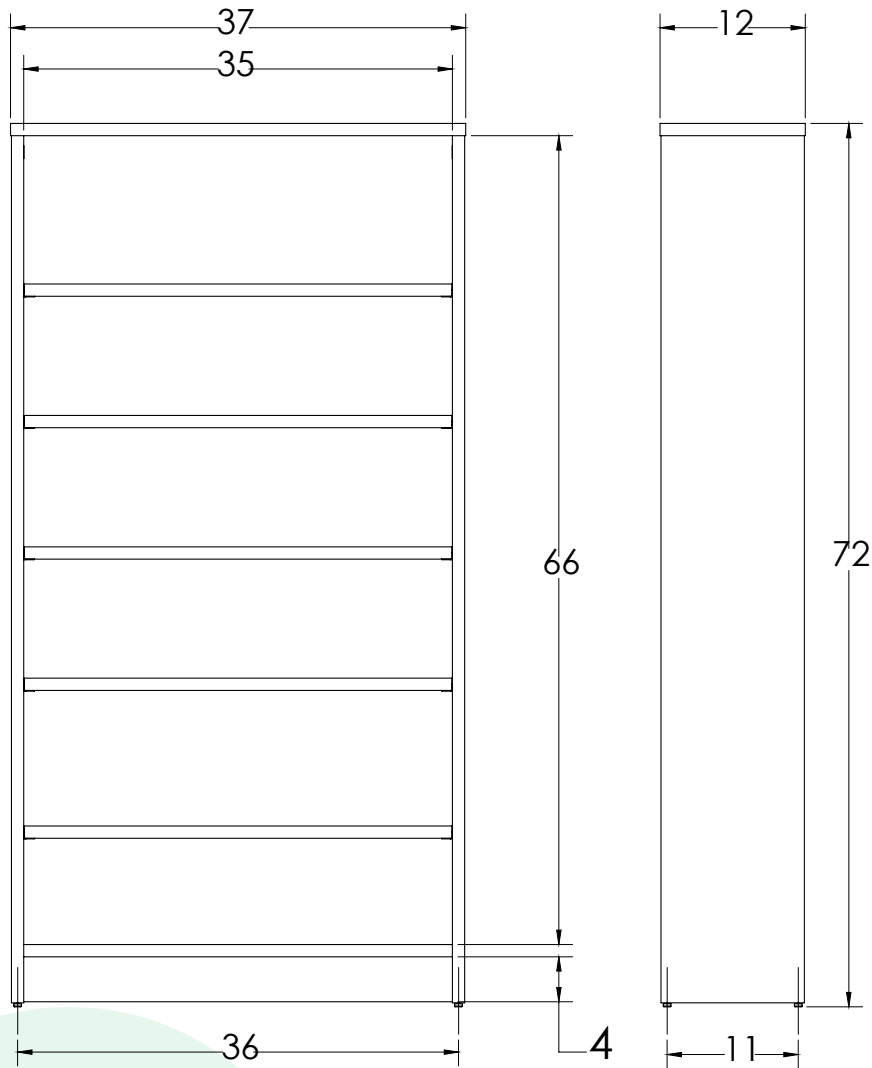
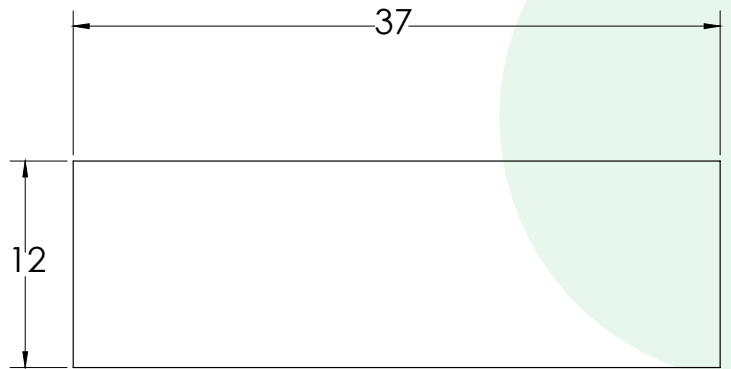
MODEL	HEIGHT "	WIDTH "	DEPTH "
A1260MBC	60.0"	37.25"	11.63"

Learn more at artcobell.com



Bookshelves

72"h



MODEL	HEIGHT "	WIDTH "	DEPTH "
A1272MBC	72.0"	37.25"	11.63"

Learn more at artcobell.com