

4100 Series | Cantilever Student Desk

4100 series cantilever desk is available in a 27" and 29" fixed height frame and 22"-30" adjustable height frame both with a 20" x 26" top.

3/4" Particleboard Core With Flat Banded Edge (E)

Work surface is constructed of 3/4" thick 45# particleboard core surfaced with high-pressure pressure laminate (HPL) on the top surface and a resin impregnated phenolic paper backer sheet on the underside to balance construction and minimize warping. Coordinated flat vinyl edge is secured to the perimeter of the top.

Solid Plastic Work Surface (S)

Top is constructed of 5/8" thickness high-impact solid work surface comprised of wood flour and melamine resin which is molded into a homogeneous unit by heat and pressure. The solid plastic work surface shall include a molded in pencil groove.

Frame

Fixed height model features 3/4" x 2" x 16-gauge oval tube construction welded to 13-gauge top and heel brackets. Frame is available in powder coat finish; completed after welding for improved aesthetics.

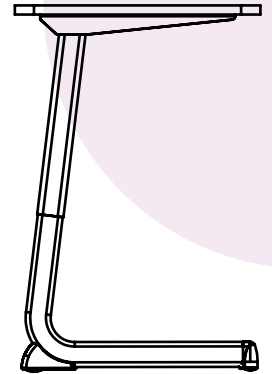
Adjustable height model made of .93" x 2.16" x 16-gauge oval tube construction welded to 13-gauge top brackets. Inserts made of 3/4" x 2" x 16-gauge oval tube welded to 13-gauge heel brackets.

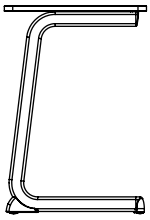
Glides

Toe glide provides support on the ends of the frame tubes and includes an adjustable nylon button glide for leveling on uneven surfaces. Two fixed anti-tipping heels with nylon glides support the rear of the unit. Glides are tool removable for replacement. Button glide options include steel, felt and non-skid.

Compliance

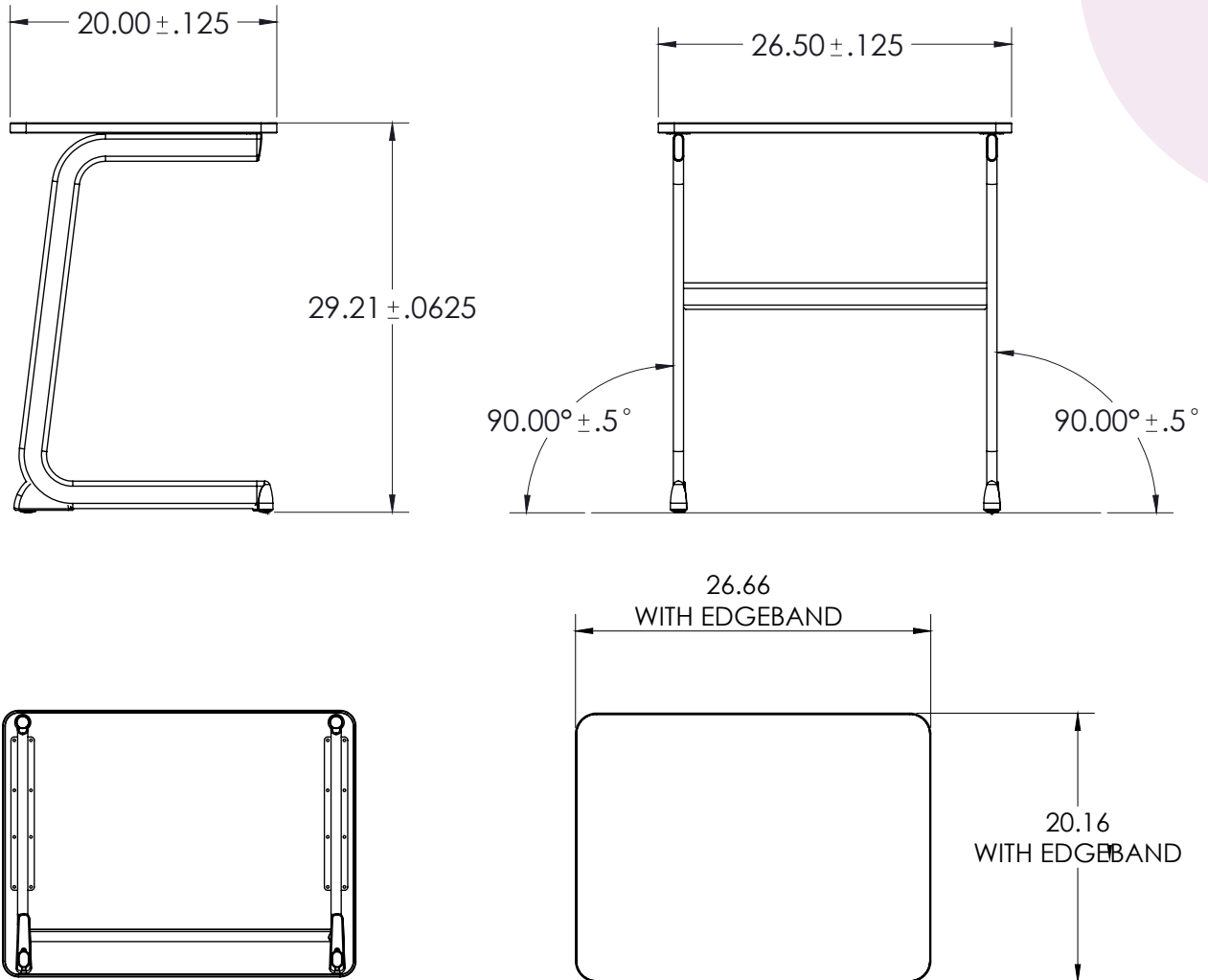
- > Indoor Advantage™ Gold. Indoor air quality certified to SCS-EC10.3-2014
- > Tested to applicable ANSI/BIFMA Furniture Standards



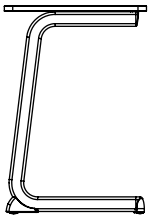


Cantilever

Fixed Student Desk

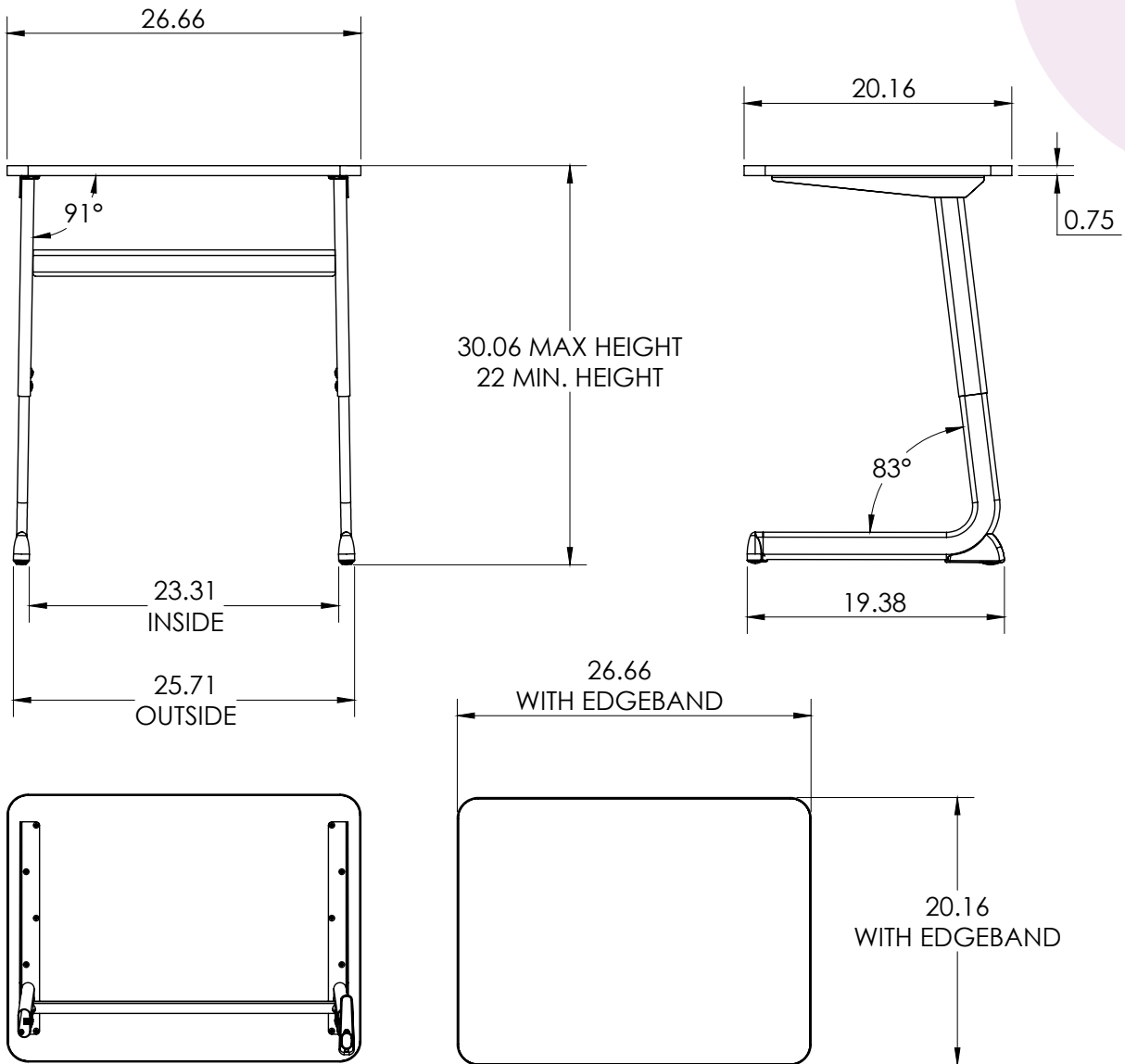


MODEL	FRAME WIDTH"	FRAME DEPTH"	WORK SURFACE HEIGHT"	TOP WIDTH"	TOP DEPTH"
4F276E	24.75"	19.5"	27.0"	26.5"	20.0"
4F276S	24.75"	19.5"	27.0"	26.5"	20.0"
4F296E	24.75"	19.5"	29.0"	26.5"	20.0"
4F296S	24.75"	19.5"	29.0"	26.5"	20.0"



Cantilever

Adjustable Student Desk



MODEL	FRAME WIDTH"	FRAME DEPTH"	WORK SURFACE HEIGHT"	TOP LENGTH"	TOP WIDTH"
4CA6E	25.7"	19.38"	22"-30"	26.66"	20.16"
4CA6S	25.7"	19.38"	22"-30"	26.66"	20.16"

Learn more at artcobell.com