

H457 Four Leg Combo Desk

Solid plastic H457 four leg combination desk is available in 17½" seat height and comes standard with a bookrack.

Solid Plastic Work Surface (S)

Top is constructed of 5/8" thickness high-impact solid work surface comprised of wood flour and melamine resin which is molded into a homogeneous unit by heat and pressure. The solid plastic work surface shall include a molded in pencil groove.

Solid Plastic Seat and Back

Seat and back made of 5/8" molded melamine thermoset plastic. The seat and back are attached with screws and a nylon retaining washer used between the seat/back and frame.

Frame

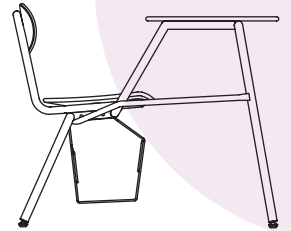
Frame is constructed of 1 ½" 16-gauge tubular steel. Tubing runs from side-to-side and is welded to a 1" 14-gauge back post punched to receive screws. The top support tube is a continuous 1 ½" 14-gauge steel tube. A ¾" 16-gauge tube connects the rear leg, top support tube, and front legs. Frame is available in nickel chrome or powder coat finish; completed after welding for improved aesthetics. Wire book rack constructed of #4 steel wire welded to frame.

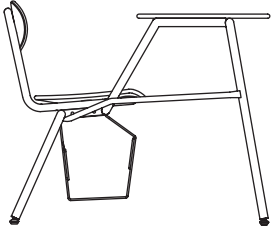
Glides

Standard swivel self-leveling glides utilize a six-star internal gripping mechanism which positively secures the glide to the inside of the leg. The "no cuff" design prevents dirt build up. Glides are available in nylon, steel or non-skid (soft rubbery base material made of elastomer/rubber/TPR). Other options include boot glides or Q-ball glides.

Compliance

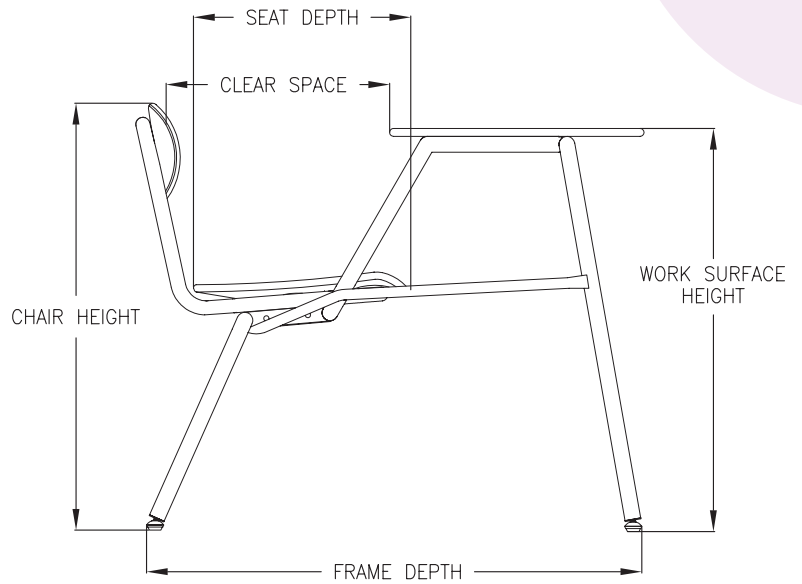
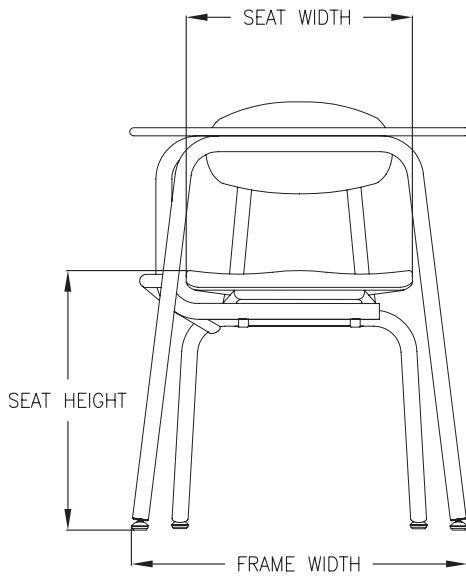
- > Indoor Advantage™ Gold. Indoor air quality certified to SCS-EC10.3-2014
- > Tested to applicable ANSI/BIFMA Furniture Standards





H457

Four Leg Combo Desk



MODEL	SEAT HEIGHT"	SEAT WIDTH"	SEAT DEPTH"	CHAIR HEIGHT"	FRAME WIDTH"	FRAME DEPTH"	WORK SURFACE HEIGHT"	WORK SURFACE WIDTH"	WORK SURFACE DEPTH"	CLEAR SPACE"
H457	17.5"	16.0"	15.25"	30.7"	23.75"	37.5"	29.0"	24.0"	18.0"	16.0"