

# Ted Tables

## Tops

3/4" Particleboard Core with Flat Banded Edge

The Top is constructed of a solid core 3/4" particle board surfaced with high-pressure laminate and a backer sheet for balanced construction and minimize warping. Flat vinyl edge is secured to the perimeter of the top.

## Base

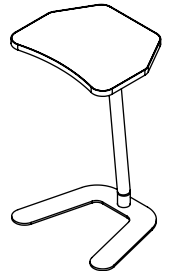
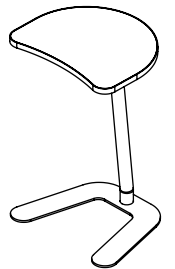
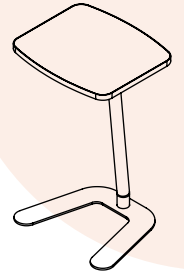
Fully welded frame support comprises a 1.5" diameter, 14-gauge steel tube and laser-cut, 1/4" thick base plate. Laminate top is mounted to an 8"x8" 10-gauge top plate with metal-to-metal fasteners (standard 5/16"-18 Phillip pan head bolt).

## Glides

Stick-on glide is 2.1" diameter x .25" thick slider pad in beige. Low coefficient of friction PE bottom.

## Compliance

- > Tested to applicable ANSI/BIFMA Furniture Standards
- > Indoor Advantage™ Gold. Indoor air quality certified to SCS-EC10.3-2014



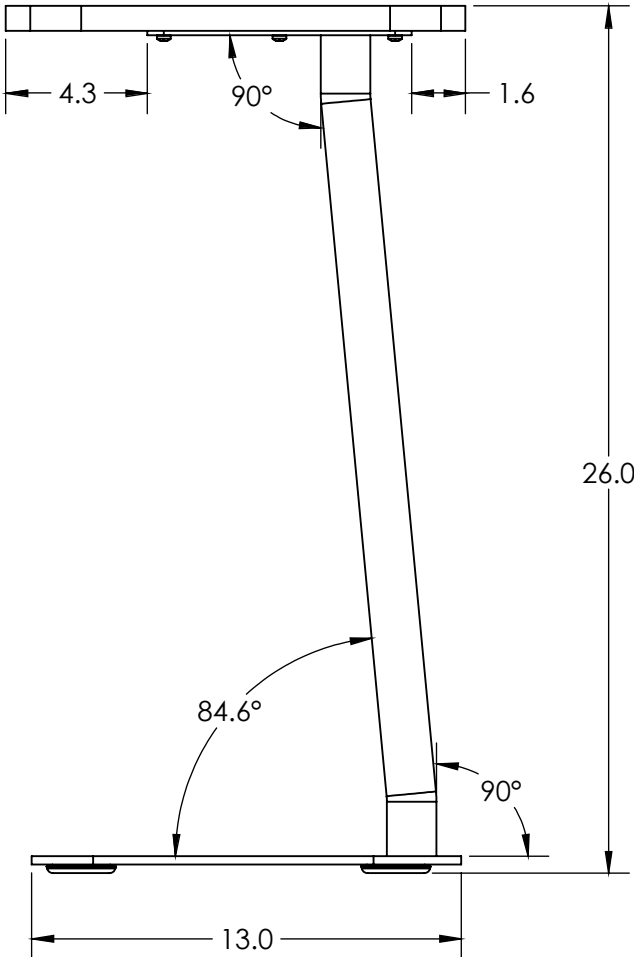
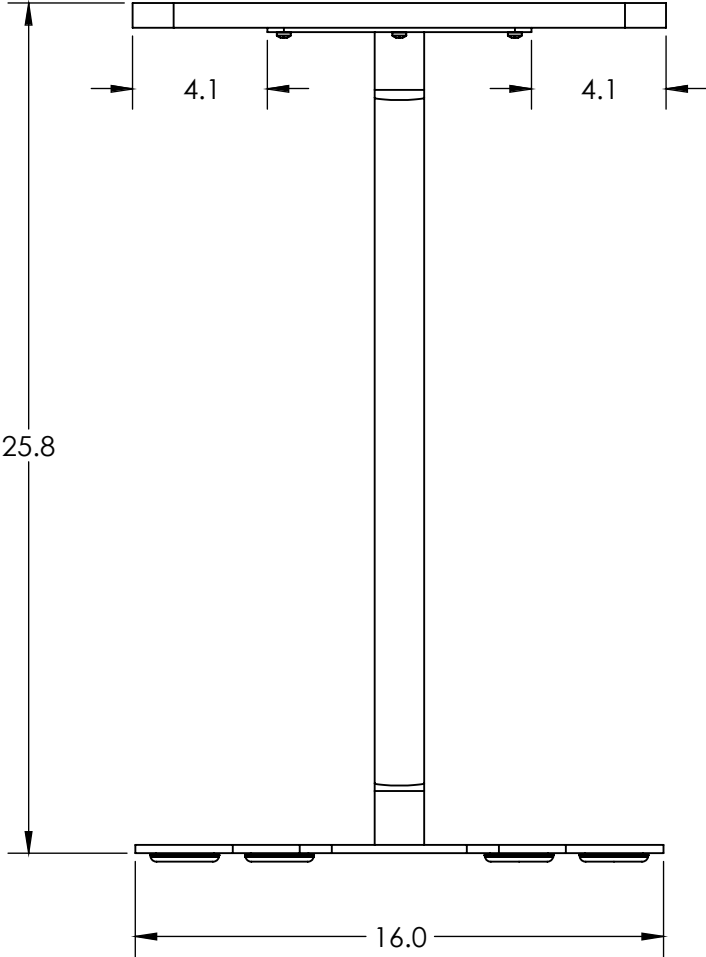
MODEL	OVERALL HEIGHT"	BASE DEPTH"	BASE WIDTH"	TOP LENGTH"	TOP WIDTH"
ST-HME	26.0"	13.2"	16.0"	13.2"	16.2"
ST-HPE	26.0"	13.2"	16.0"	13.2"	16.2"
ST-SREC	26.0"	13.2"	16.0"	13.9"	16.2"

Learn more at [artcobell.com](http://artcobell.com)

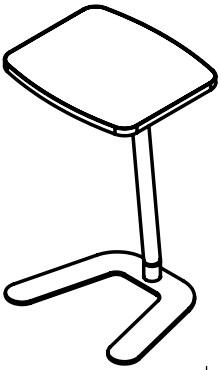


# Ted Table

## Sides

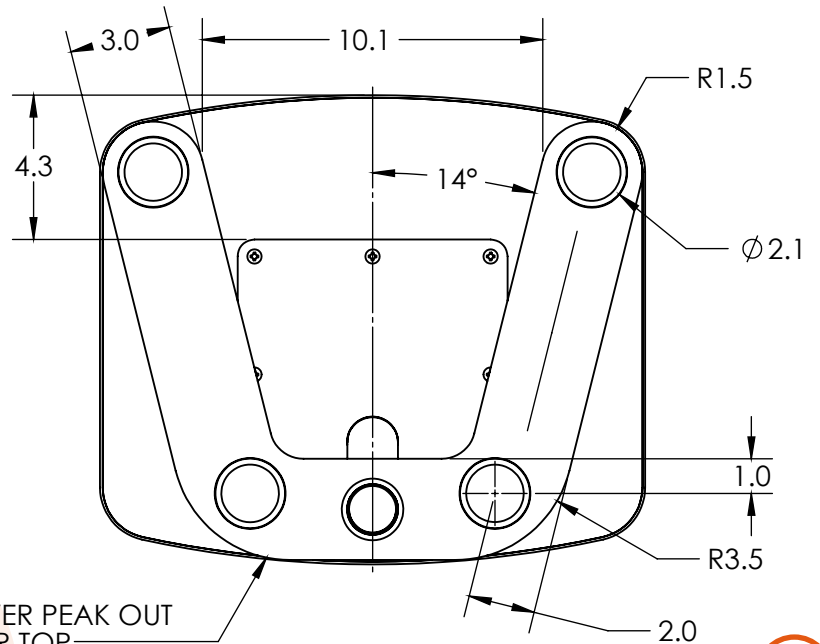
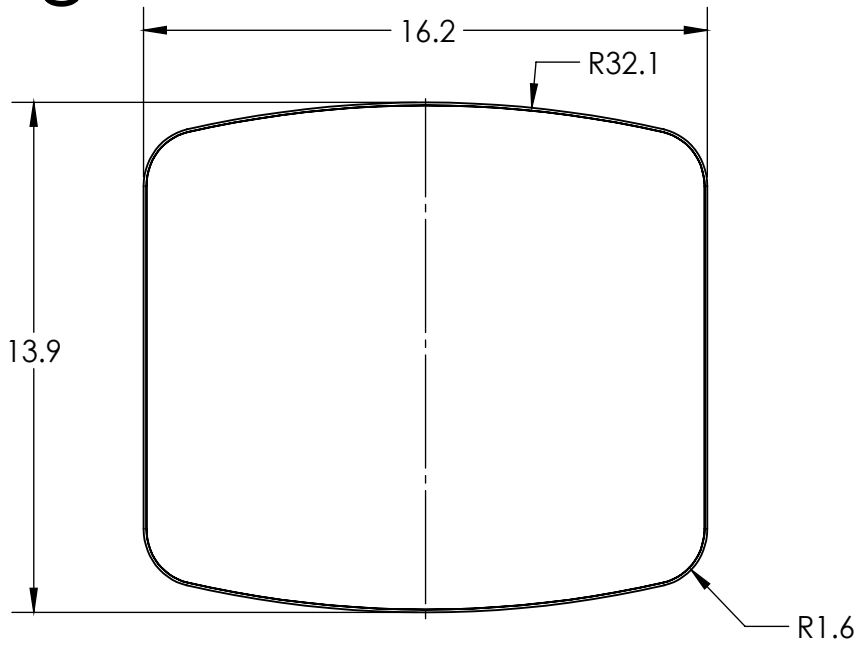


Learn more at [artcobell.com](https://artcobell.com)



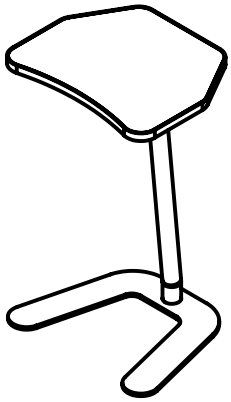
# Ted Table

## Soft Rectangle



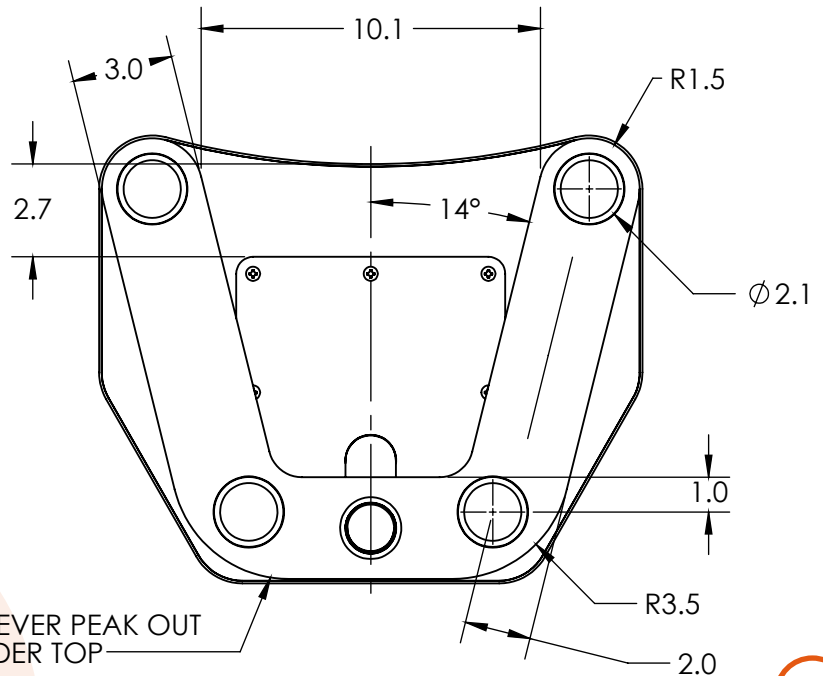
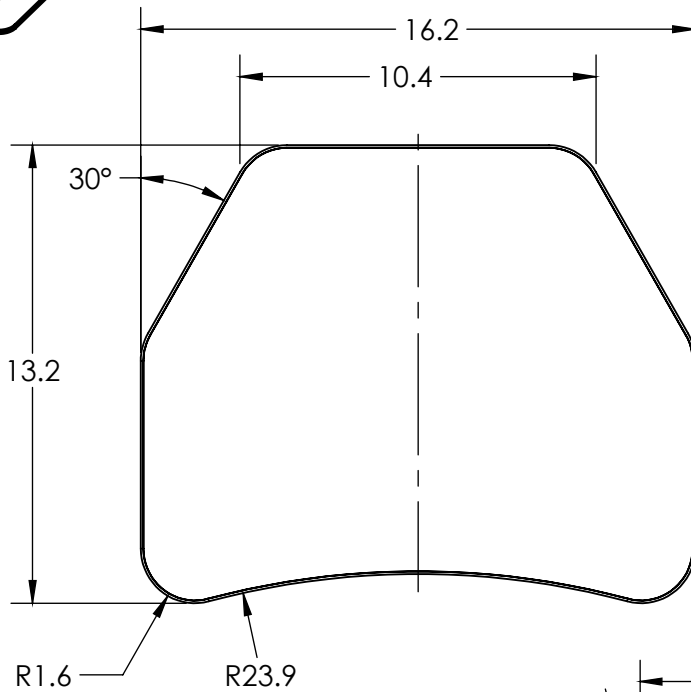
FRAME SHOULD NEVER PEAK OUT FROM UNDER TOP

Learn more at [artcobell.com](https://artcobell.com)



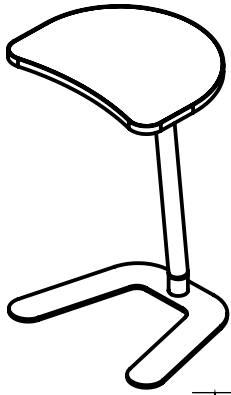
# Ted Table

## Home Plate



FRAME SHOULD NEVER PEAK OUT FROM UNDER TOP

Learn more at [artcobell.com](https://artcobell.com)



# Ted Table

## Half Moon

