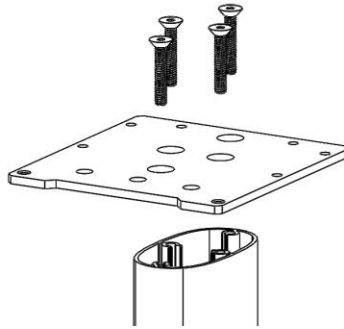


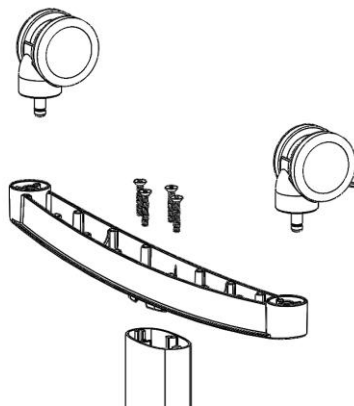
# installation instructions

MODEL: DTF

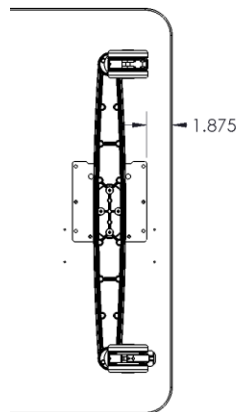
1. Place the work surface upside down on a cardboard or carpeted surface to prevent finish from scratching.
2. Assemble mounting plate to leg extrusion with four (4)  $\frac{1}{4}$ -20 x 1.5" flat head cap screws.



3. Assemble foot to leg extrusion with four (4)  $\frac{1}{4}$ -20 x 1.5" flat head cap screws and push casters into feet if applicable.



4. Center foot front to back on table and position mounting plate 1.875" off edge of top and fasten with eight (8) #12 x  $\frac{3}{4}$ " screws. If top is predrilled, align mounting plate with predrilled holes.



5. Repeat for second leg.
6. Flip table over using two people using safe lifting techniques.

**artcobell**